

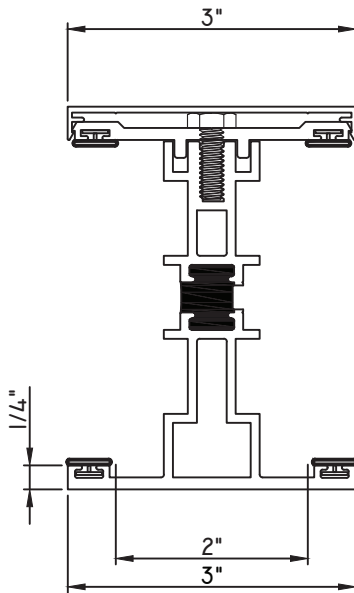


# E300 Series Hung, Horizontal Slider, Fixed Vertical Mulls

All information seen within this document are considered current. However periodic changes/updates to our products are necessary. Quaker Window Products Inc. reserves the right to change any information without notice.



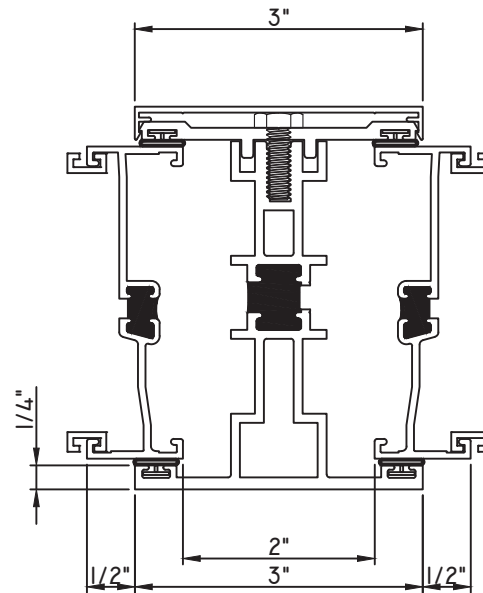
## C-MULL M6270



### HEAVY WALL T-MULL

- M21045 - T-MULL
- M21043 - BASE
- M21044 - CAP
- BPN-9159 - W.S. (QTY. 4)
- MT1/4 20X5/8 - BOLTS (18" APROX. O.C.)
- M13404 - L-ANGLE (QTY. 2)
- MF8-15X7/8-8HD - FASTENERS (QTY. 2)
- MF8-15X1 1/2 - FASTENERS (QTY. 2)

**MUST BE USED WITH HEAVY WALL  
3 1/4" RECEPTOR & SUBSILLS**



### HEAVY WALL T-MULL/1" STACK MULL LEFT/RIGHT

- M21045 - T-MULL
- M21043 - BASE
- M21044 - CAP
- M21087 - 1" STACK MULL LEFT/RIGHT

SCALE 1:2

Our products are tested to the standards of and certified by some of the foremost organizations in the fenestration industry.





# E300 Series Hung, Horizontal Slider, Fixed Vertical Mulls

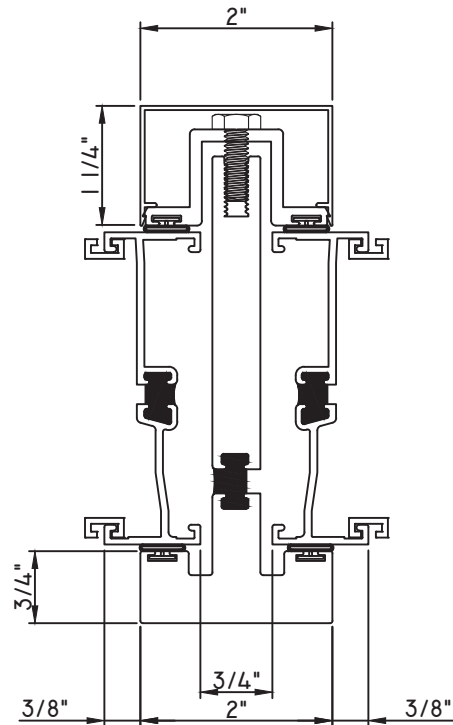
All information seen within this document are considered current. However periodic changes/updates to our products are necessary. Quaker Window Products Inc. reserves the right to change any information without notice.



## BULLNOSE T-MULL W/ 1 1/4" INTERIOR CAP

- M21086 - T-MULL
- M14895 - BASE
- M14896 - CAP
- BPN-9159 - W.S. (QTY. 4)
- MH1/4 20X3/4 - BOLTS (18" APROX. O.C.)
- M13404 - L-ANGLE (QTY. 2)
- MF8-15X7/8-8HD - FASTENERS (QTY. 2)
- MF8-15X1 1/2 - FASTENERS (QTY. 2)

**CAN'T BE USED WITH RECEPTOR &  
SUBSILL INSTALLATION**



## BULLNOSE T-MULL W/ 1 1/4" INTERIOR CAP / 1" STACK MULL LEFT/RIGHT

- M21086 - T-MULL
  - M14895 - BASE
  - M14896 - CAP
  - M21087 - 1" STACK MULL LEFT/RIGHT
- CAN'T BE USED WITH RECEPTOR &  
SUBSILL INSTALLATION**

SCALE 1:2

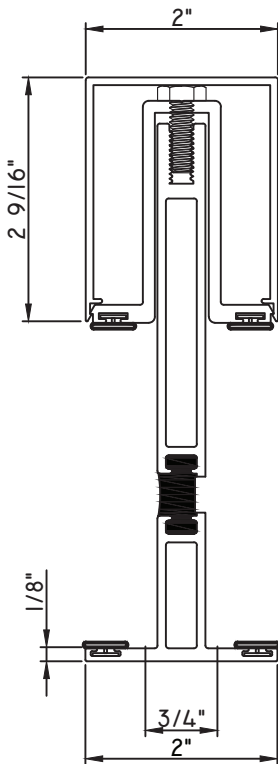
Our products are tested to the standards of and certified by some of the foremost organizations in the fenestration industry.





# E300 Series Hung, Horizontal Slider, Fixed Vertical Mulls

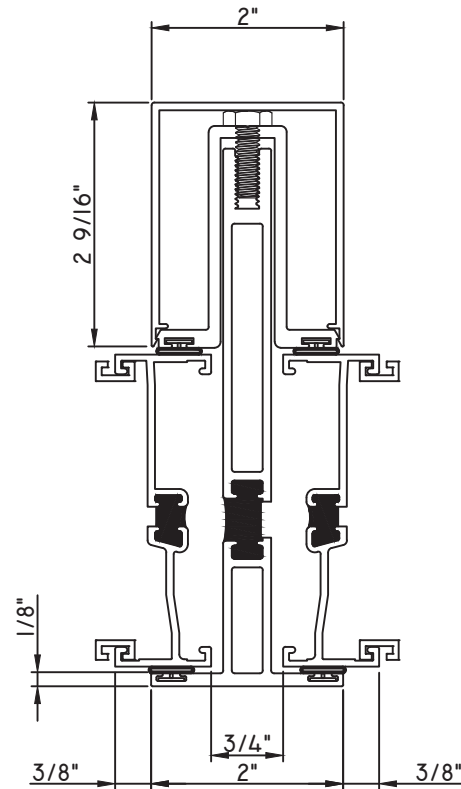
All information seen within this document are considered current. However periodic changes/updates to our products are necessary. Quaker Window Products Inc. reserves the right to change any information without notice.



## T-MULL W/ 2 9/16" INTERIOR CAP

- M21856 - T-MULL
- M21855 - BASE
- M21854 - CAP
- BPN-9159 - W.S. (QTY. 4)
- MH1/4 20X3/4 - BOLTS (18" APPROX. O.C.)
- M13404 - L-ANGLE (QTY. 2)
- MF8-15X7/8-8HD - FASTENERS (QTY. 2)
- MF8-15X1 1/2 - FASTENERS (QTY. 2)

**MUST BE USED WITH STANDARD  
3 1/4" RECEPTOR & SUBSILLS**



## T-MULL W/ 2 9/16" INTERIOR CAP/ 1" STACK MULL LEFT

- M21856 - T-MULL
  - M21855 - BASE
  - M21854 - CAP
  - M21087 - 1" STACK MULL LEFT
- MUST BE USED WITH STANDARD  
3 1/4" RECEPTOR & SUBSILLS**

SCALE 1:2

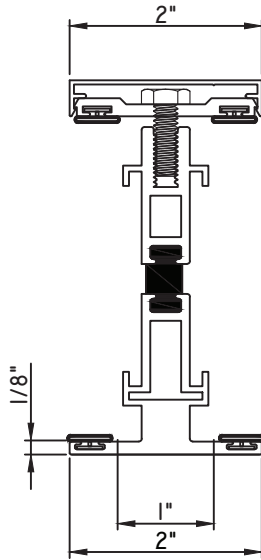
Our products are tested to the standards of and certified by some of the foremost organizations in the fenestration industry.





# E300 Series Hung, Horizontal Slider, Fixed Vertical Mulls

All information seen within this document are considered current. However periodic changes/updates to our products are necessary. Quaker Window Products Inc. reserves the right to change any information without notice.



## T-MULL

M22126 - T-MULL  
MAX17386 - BASE  
MAX14141 - CAP

BPN-9159 - W.S. (QTY. 4)  
MH1/4 20X3/4 - BOLTS (18" APROX. O.C.)

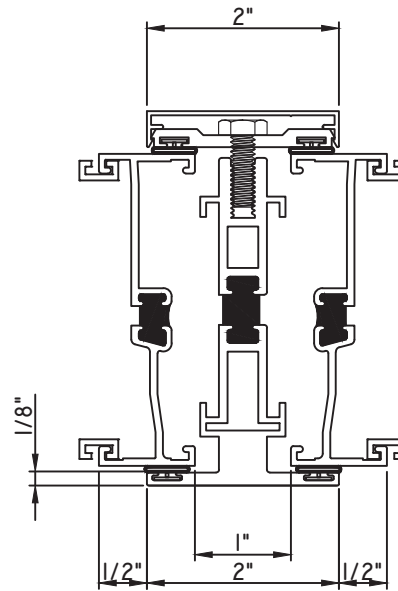
### PARTS FOR NON NAIL FIN INSTALL:

M13404 - L-ANGLE (QTY. 2)  
MF8-15X7/8-8HD - FASTENERS (QTY. 2)  
MF8-15X1 1/2 - FASTENERS (QTY. 2)

### PARTS FOR NAIL FIN INSTALL:

M22127 - Z-CLIP (QTY. 2)  
M23616 - H450 Z-CLIP (QTY. 2)

**MUST BE USED WITH STANDARD  
3 1/4" RECEPTOR & SUBSILLS**



## T-MULL/1" STACK MULL LEFT/RIGHT

M22126 - T-MULL  
MAX17386 - BASE  
MAX14141 - CAP

M21087 - 1" STACK MULL LEFT/RIGHT

**MUST BE USED WITH STANDARD  
3 1/4" RECEPTOR & SUBSILLS**

SCALE 1:2

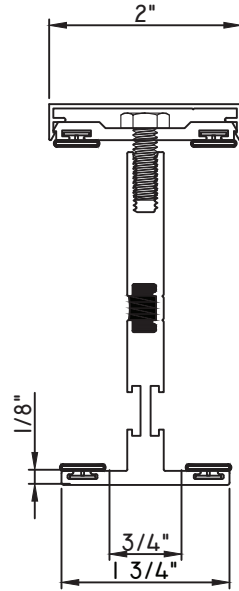
Our products are tested to the standards of and certified by some of the foremost organizations in the fenestration industry.





# E300 Series Hung, Horizontal Slider, Fixed Vertical Mulls

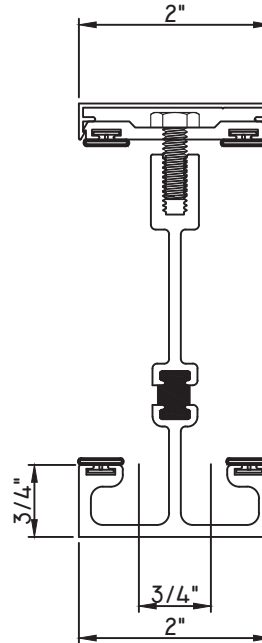
All information seen within this document are considered current. However periodic changes/updates to our products are necessary. Quaker Window Products Inc. reserves the right to change any information without notice.



## T-MULL

- M24628 - T-MULL
- MAX17386 - BASE
- MAX14141 - CAP
- BPN-9159 - W.S. (QTY. 4)
- MH1/4 20X3/4 - BOLTS (18" APROX. O.C.)
- PARTS FOR NON NAIL FIN INSTALL:
- M13404 - L-ANGLE (QTY. 2)
- MF8-15X7/8-8HD - FASTENERS (QTY. 2)
- MF8-15X1 1/2 - FASTENERS (QTY. 2)
- PARTS FOR NAIL FIN INSTALL:
- M22127 - Z-CLIP (QTY. 2)
- M23616 - H450 Z-CLIP (QTY. 2)

**MUST BE USED WITH STANDARD  
3 1/4" RECEPTOR & SUBSILLS**



## T-MULL

- M536203 - T-MULL
- M17386 - BASE
- MAX14141 - CAP
- BPN-9159 - W.S. (QTY. 4)
- MH1/4 20X3/4 - BOLTS (18" APROX. O.C.)
- M13404 - L-ANGLE (QTY. 2)
- MF8-15X7/8-8HD - FASTENERS (QTY. 2)
- MF8-15X1 1/2 - FASTENERS (QTY. 2)

**MUST BE USED WITH STANDARD  
2 3/8" RECEPTOR & SUBSILL**

SCALE 1:2

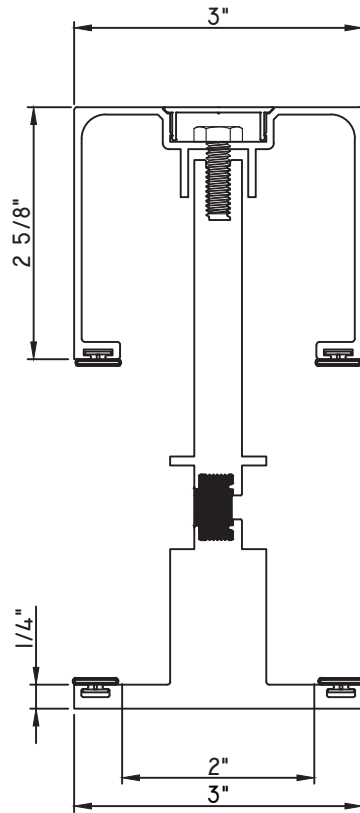
Our products are tested to the standards of and certified by some of the foremost organizations in the fenestration industry.





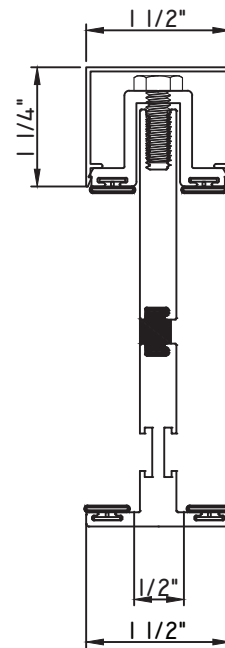
# E300 Series Hung, Horizontal Slider, Fixed Vertical Mulls

All information seen within this document are considered current. However periodic changes/updates to our products are necessary. Quaker Window Products Inc. reserves the right to change any information without notice.



## T-MULL

- M23980 - T-MULL
- M23981 - BASE
- M536207 - CAP
- BPN-9159 - W.S. (QTY. 4)
- MH1/4 20X3/4 - BOLTS (18" APROX. O.C.)
- M13404 - L-ANGLE (QTY. 2)
- MF8-15X7/8-8HD - FASTENERS (QTY. 2)
- MF8-15X1 1/2 - FASTENERS (QTY. 2)



## T-MULL

- M24500 - T-MULL (New Die)
- M234498 - BASE (New Die)
- M24499 - CAP (New Die)
- BPN-9159 - W.S. (QTY. 4)
- MH1/4 20X3/4 - BOLTS (18" APROX. O.C.)
- 5229-pc - ANCHOR (QTY. 2) (New Die)
- MPS-8X1 1/2 - FASTENERS (QTY. 2)

**CAN ONLY BE USED WITH M600**

SCALE 1:2

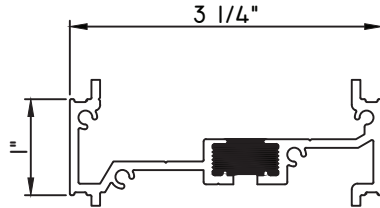
Our products are tested to the standards of and certified by some of the foremost organizations in the fenestration industry.





# E300 Series Hung, Horizontal Slider, Fixed Stack Mulls

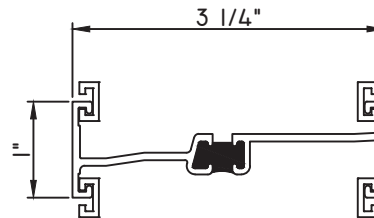
All information seen within this document are considered current. However periodic changes/updates to our products are necessary. Quaker Window Products Inc. reserves the right to change any information without notice.



## 1" STACK MULL

M23723 - STACK MULL  
1226-(COLOR REQUIRED) - WEEP COVER  
QWP-M23723 - END DAM (QTY. 2)  
M23845-PCS - M600 NAIL FIN END DAM  
M23846-PCS - H450 NAIL FIN END DAM  
MH8-18X1 LP - SCREW (QTY. 8)

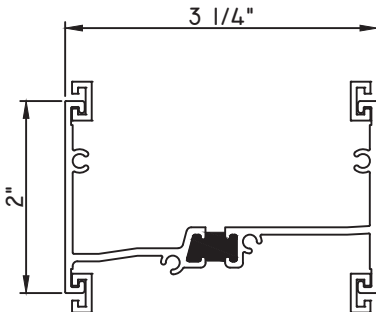
**FIELD APPLIED INSTALL ONLY**



## 1" STACK MULL

M21087 - STACK MULL  
M6270 - C-MULL (QTY. 2 OR 4)  
1226-(COLOR REQUIRED) - WEEP COVE

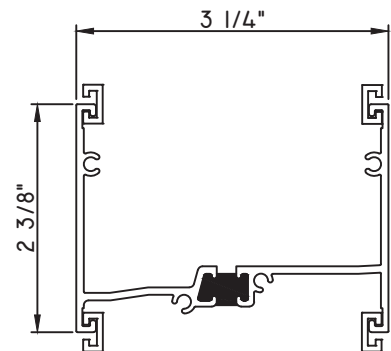
**FACTORY APPLIED INSTALL ONLY**



## 2" STACK MULL

M16318 - STACK MULL  
M6270 - C-MULL (QTY. 2 OR 4)  
72406 - END DAM (QTY. 2)  
MH8-18X1 LP - SCREW (QTY. 8)  
1226-(COLOR REQUIRED) - WEEP COVER

**FACTORY APPLIED INSTALL ONLY**



## 2 3/8" STACK MULL

M22015 - STACK MULL  
M6270 - C-MULL (QTY. 2 OR 4)  
QWP-032917 - END DAM (QTY. 2)  
MH8-18X1 LP - SCREW (QTY. 8)  
1226-(COLOR REQUIRED) - WEEP COVER

**FACTORY APPLIED INSTALL ONLY**

SCALE 1:2

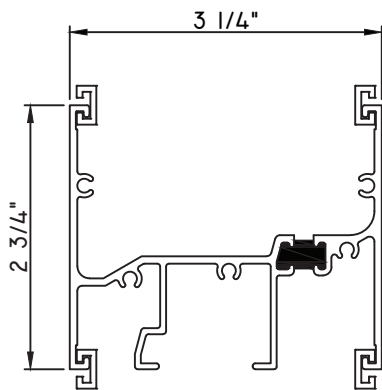
Our products are tested to the standards of and certified by some of the foremost organizations in the fenestration industry.





# E300 Series Hung, Horizontal Slider, Fixed Stack Mulls

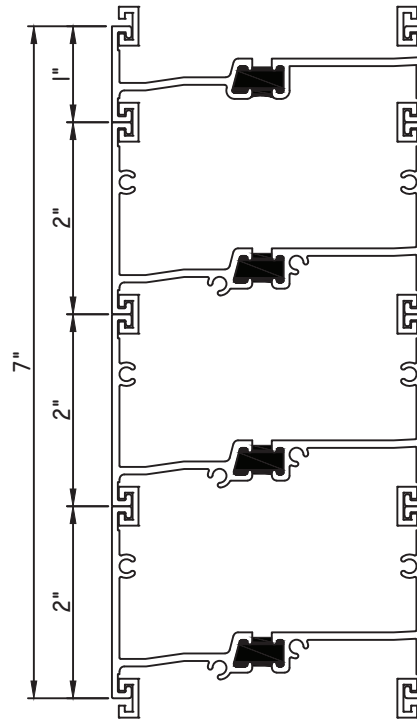
All information seen within this document are considered current. However periodic changes/updates to our products are necessary. Quaker Window Products Inc. reserves the right to change any information without notice.



## 2 3/4" STACK MULL

M15731 - STACK MULL  
M6270 - C-MULL (QTY. 2 OR 4)  
- END DAM (QTY. 2)  
MH8-18X1 LP - SCREW (QTY. 8)  
1226-(COLOR REQUIRED) - WEEP COVER

**FACTORY APPLIED INSTALL ONLY**



## 7" STACK MULL

M16318 x3 - STACK MULL  
M6270 - C-MULL (QTY. 2 OR 4)  
72406 - END DAM (QTY. 2)  
MH8-18X1 LP - SCREW (QTY. 8)  
1226-(COLOR REQUIRED) - WEEP COVER

**FACTORY APPLIED INSTALL ONLY**

SCALE 1:2

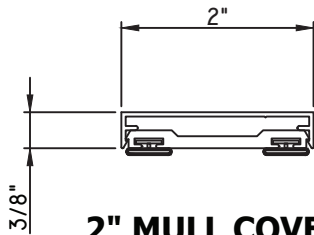
Our products are tested to the standards of and certified by some of the foremost organizations in the fenestration industry.





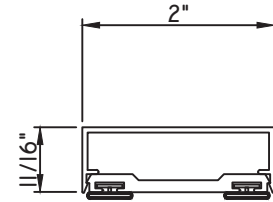
# E300 Series Hung, Horizontal Slider, Fixed Mull Covers

All information seen within this document are considered current. However periodic changes/updates to our products are necessary. Quaker Window Products Inc. reserves the right to change any information without notice.



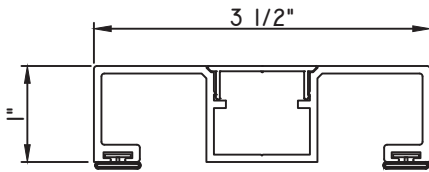
## 2" MULL COVER

MAX17386 - BASE  
MAX14141 - CAP  
BPN-9159 - W.S. (QTY. 2)



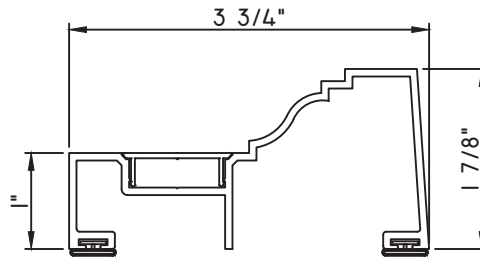
## 2" MULL COVER

MAX17386 - BASE  
M23502 - CAP  
BPN-9159 - W.S. (QTY. 2)



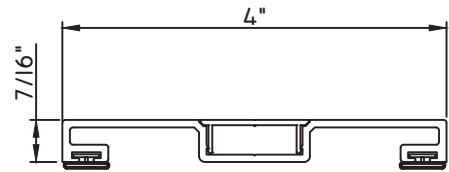
## 3 1/2" MULL COVER

M21664 - MULL COVER  
M536207 - CAP  
BPN-9159 - W.S. (QTY. 2)



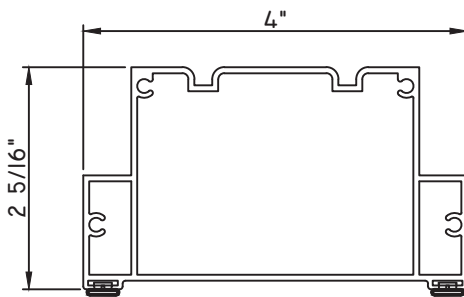
## 3 3/4" MULL COVER

M24837 - MULL COVER  
M536207 - CAP  
BPN-9159 - W.S. (QTY. 2)



## 4" MULL COVER

M536208 - MULL COVER  
M536207 - CAP  
BPN-9159 - W.S. (QTY. 2)



## 4" MULL COVER

M24428 - MULL COVER  
BPN-9159 - W.S. (QTY. 2)  
MH8-18X1 LP - SCREW (QTY. 8)

SCALE 1:2

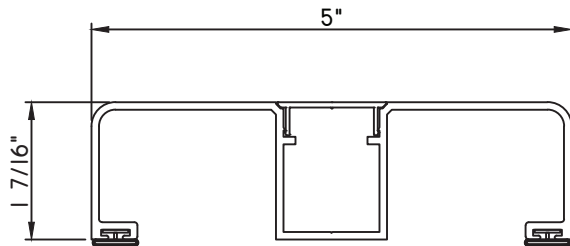
Our products are tested to the standards of and certified by some of the foremost organizations in the fenestration industry.





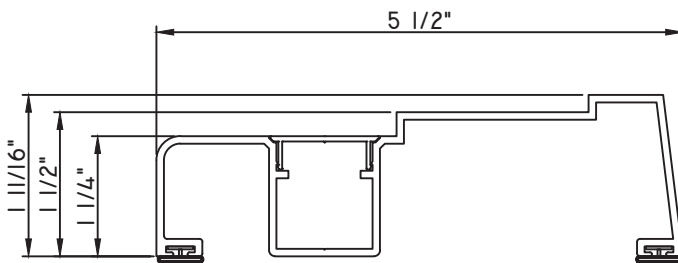
# E300 Series Hung, Horizontal Slider, Fixed Mull Covers

All information seen within this document are considered current. However periodic changes/updates to our products are necessary. Quaker Window Products Inc. reserves the right to change any information without notice.



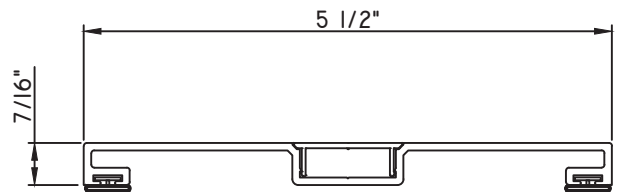
## 5 " MULL COVER

M23978 - MULL COVER  
M536207 - CAP  
BPN-9159 - W.S. (QTY. 2)



## 5 1/2" MULL COVER

M23979 - MULL COVER  
M536207 - CAP  
BPN-9159 - W.S. (QTY. 2)



## 5 1/2" MULL COVER

M536206 - MULL COVER  
M536207 - CAP  
BPN-9159 - W.S. (QTY. 2)

SCALE 1:2

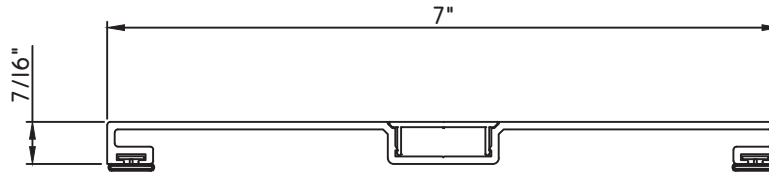
Our products are tested to the standards of and certified by some of the foremost organizations in the fenestration industry.



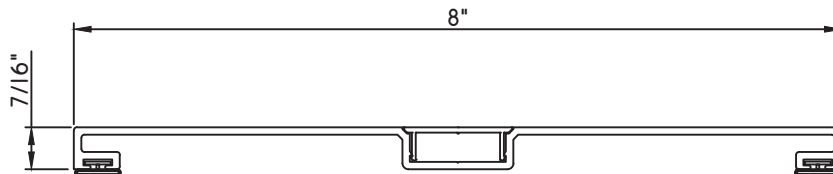


# E300 Series Hung, Horizontal Slider, Fixed Mull Covers

All information seen within this document are considered current. However periodic changes/updates to our products are necessary. Quaker Window Products Inc. reserves the right to change any information without notice.



**7" MULL COVER**  
M12794 - MULL COVER  
M536207 - CAP  
BPN-9159 - W.S. (QTY. 2)



**8" MULL COVER**  
M23410 - MULL COVER  
M536207 - CAP  
BPN-9159 - W.S. (QTY. 2)

SCALE 1:2

Our products are tested to the standards of and certified by some of the foremost organizations in the fenestration industry.

