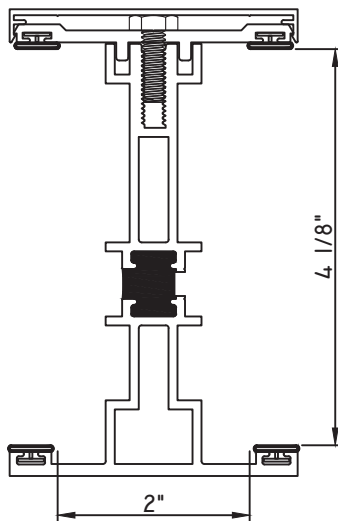


All information seen within this document are considered current. However periodic changes/updates to our products are necessary. Quaker Window Products Inc. reserves the right to change any information without notice.



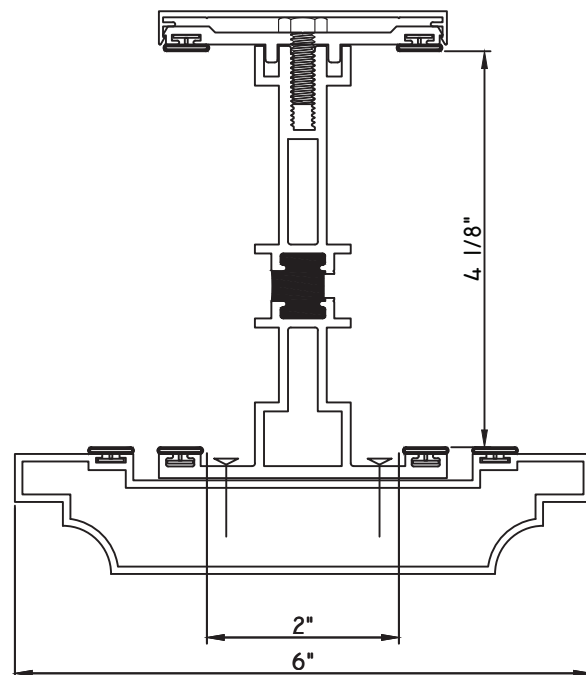
C-MULL M6270



HEAVY WALL T-MULL

- M24895 - T-MULL
- M21043 - BASE
- M21044 - CAP
- BPN-9159 - W.S. (QTY. 4)
- MH1/4 20X3/4 - BOLTS (18" APPROX. O.C.)
- M13404 - L-ANGLE (QTY. 2)
- MF8-15X7/8-8HD - FASTENERS (QTY. 2)
- MF8-15X1 1/2 - FASTENERS (QTY. 2)

M24895 I VALUE = 4.0072



HEAVY WALL T-MULL

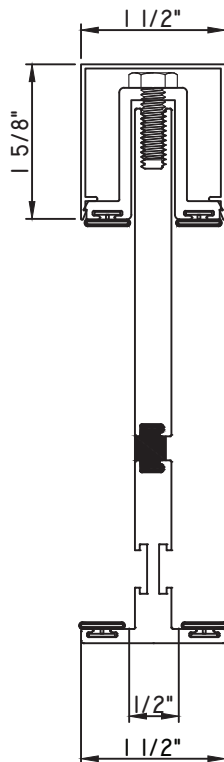
- M24895 - T-MULL
- M21043 - BASE
- M21044 - CAP
- BPN-9159 - W.S. (QTY. 4)
- MH1/4 20X3/4 - BOLTS (3" FROM EACH END & 16" O.C.)
- M13404 - L-ANGLE (QTY. 2)
- MF8-15X7/8-8HD - FASTENERS (QTY. 2)
- MF8-15X1 1/2 - FASTENERS (QTY. 2)
- OUTSIDE COVER - M24894 (FIELD APPLIED)
- MH8-18X3/4 TK2 - FASTENERS (3" FROM EACH END & 16" O.C.) x2

M24895 I VALUE = 4.0072

Our products are tested to the standards of and certified by some of the foremost organizations in the fenestration industry.



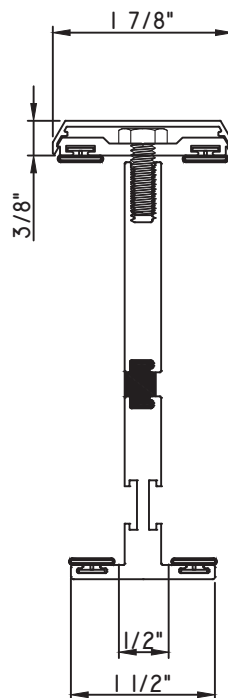
All information seen within this document are considered current. However periodic changes/updates to our products are necessary. Quaker Window Products Inc. reserves the right to change any information without notice.



T-MULL

- M24497 - T-MULL (New Die)
- M24495 - BASE (New Die)
- M24496 - CAP (New Die)
- M13404 - L-ANGLE (QTY. 2)
- BPN-9159 - W.S. (QTY. 4)
- MH1/4 20X3/4 - BOLTS (18" APROX. O.C.)
- TBD - ANCHOR (QTY. 2) (NEW ANCHOR)
- MPS-8X1 1/2 - FASTENERS (QTY. 2)

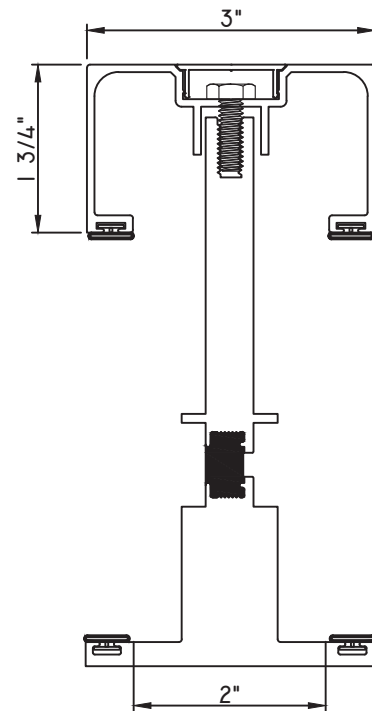
CAN ONLY BE USED WITH C600



T-MULL

- M24500 - T-MULL (New Die)
- M23056 - BASE
- M23058 - CAP
- M13404 - L-ANGLE (QTY. 2)
- BPN-9159 - W.S. (QTY. 4)
- MH1/4 20X3/4 - BOLTS (18" APROX. O.C.)
- TBD - ANCHOR (QTY. 2) (New Die)
- MPS-8X1 1/2 - FASTENERS (QTY. 2)

CAN ONLY BE USED WITH C600



T-MULL

- M23980 - T-MULL
- M26058 - BASE (New Die)
- M536207 - CAP
- M13404 - L-ANGLE (QTY. 2)
- BPN-9159 - W.S. (QTY. 4)
- MH1/4 20X3/4 - BOLTS (18" APROX. O.C.)
- M13404 - L-ANGLE (QTY. 2)
- MF8-15X7/8-8HD - FASTENERS (QTY. 2)
- MF8-15X1 1/2 - FASTENERS (QTY. 2)

SCALE 1:2

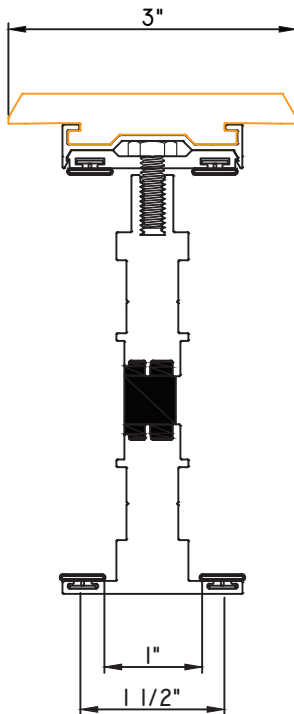
Our products are tested to the standards of and certified by some of the foremost organizations in the fenestration industry.





H650 Single Hung Mulls

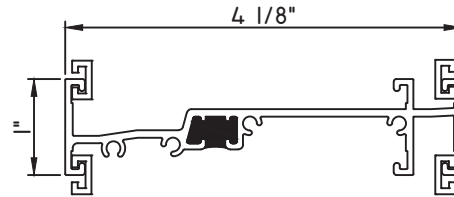
All information seen within this document are considered current. However periodic changes/updates to our products are necessary. Quaker Window Products Inc. reserves the right to change any information without notice.



T-MULL

- M24502 - T-MULL
- M23056 - BASE
- M23057 - CAP
- 109474 - WOOD CAP
- M13404 - L-ANGLE (QTY. 2)
- BPN-9159 - W.S. (QTY. 4)
- MH1/4 20X3/4 - BOLTS (18" APPROX. O.C.)
- 5228 - ANCHOR (QTY. 2) (NAIL FIN)
- M18231 PCS - ANCHOR (QTY. 2) (RECEPTOR)
- MPS-8X1 1/2 - FASTENERS (QTY. 2)

CAN ONLY BE USED WITH W600



1" STACK MULL

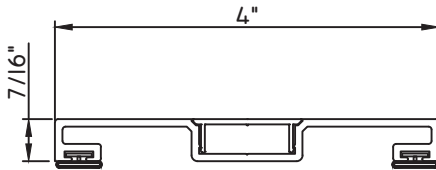
- M24797 - STACK MULL
- M6270 - C-MULL (QTY. 2 OR 4)
- QWP-M24797 - END DAM (QTY. 2)
- MH8-18X1 LP - SCREW (QTY. 8)
- 970-300 - WEEP COVER (QTY. 2)

FACTORY APPLIED INSTALL ONLY

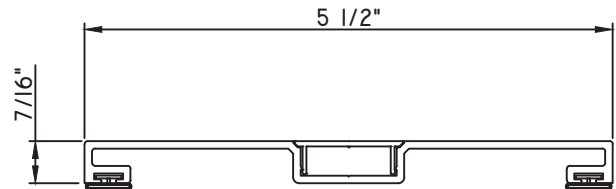
Our products are tested to the standards of and certified by some of the foremost organizations in the fenestration industry.



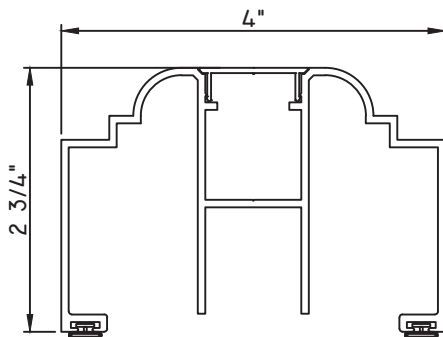
All information seen within this document are considered current. However periodic changes/updates to our products are necessary. Quaker Window Products Inc. reserves the right to change any information without notice.



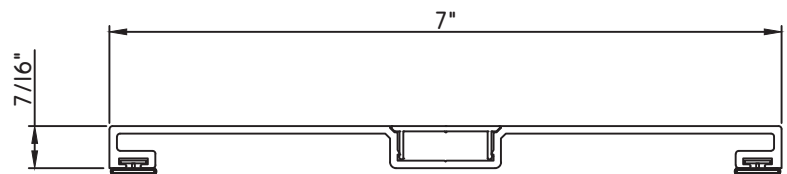
4" MULL COVER
M536208 - MULL COVER
M536207 - CAP
BPN-9159 - W.S. (QTY. 2)



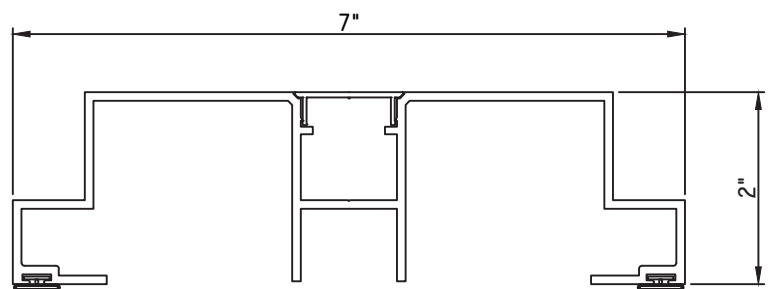
5 1/2" MULL COVER
M536206 - MULL COVER
M536207 - CAP
BPN-9159 - W.S. (QTY. 2)



4" MULL COVER
M26153 - MULL COVER
M536207 - CAP
BPN-9159 - W.S. (QTY. 2)



7" MULL COVER
M12794 - MULL COVER
M536207 - CAP
BPN-9159 - W.S. (QTY. 2)



7" MULL COVER
M25907 - MULL COVER
M536207 - CAP
BPN-9159 - W.S. (QTY. 2)

SCALE 1:2

Our products are tested to the standards of and certified by some of the foremost organizations in the fenestration industry.

