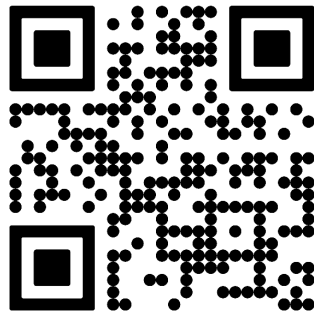


M-Series Sliding Door OXXO Installation Guide

CityVu/CityLine EdgeVu/EdgeLine M600



-Scan here for a digital version-

Part # IG-008- V.1.7 4/16/2026

If this set of instructions does not match your installation method or the wall conditions of the job site, please check our website listed below for other options, or call Quaker Customer Service for additional information.



Quaker Window Products
504 Highway 63 S
Freeburg, MO 65035
Phone: 800-347-0438
Fax: 573-469-4151
www.quakerwindows.com

Tools Required by Installer

Safety Glasses



Drill/Driver



Level



Caulk Gun



Utility Knife



Metal Cutting Saw



Tape Measure



Staple Gun



Rubber Mallet



J-Roller



Materials Required by Installer

Foam Backer Rod



Plastic Shims



Self-Adhering Flashing Tape



Perimeter Fasteners



Sealant



Denatured Rubbing Alcohol



-Carefully read these instructions before starting any installation-

These are generic instructions that cover common situations and applications, which may not be appropriate for all installations due to building design, site conditions, construction materials, or installation methods used. Consult Quaker for recommendations for specific applications not covered in these installation instructions.

Failure to install and maintain QUAKER® products according to these instructions may void any product warranty. Please visit the Quaker website at www.quakerwindows.com, or call 800-347-0438 for additional information.

Tools

- Follow manufacturer's instructions and safely operate tools, ladders, or scaffolding. Always wear safety glasses. Failure to do so could result in injury, product, or property damage.

Handling

- Do not store QUAKER products outside or in an unprotected, high moisture, or high heat environment prior to installation. Doing so could result in product damage.
- Do not carry, transport, or store QUAKER products in a flat (horizontal) position. Doing so could result in product damage or injury.
- Window and door units should be kept or stored in an upright (vertical) position, with support across the sill to avoid bowing. Do not lay any units in a flat position!

Glass

- If glass gets broken, please exercise caution, as glass fragments can cause lacerations or other injuries. In many areas, local building codes require safety glass to be used in certain applications. All QUAKER products are available with safety glass if they are ordered that way.

Fastening

- Metal fasteners and components could corrode when used in contact with preservative-treated lumber. Use approved and appropriate fasteners and components to fasten QUAKER products in this application. Failure to do so could result in a product performance failure, injury, or property damage.
- Quaker does not provide anchorage or fastener calculations.
- Quaker is not responsible for determining structural adequacy of the anchorage and fasteners used to install QUAKER products, or the openings into which they are installed.

Installation

- Report any damage to dealer immediately. Do not install product if damaged. Quaker is not responsible for addressing products that are damaged after delivery, or product that is installed in a damaged condition.
- Always support window or door products in an opening until fully fastened. Failure to do so could result in the product falling out of an opening and causing injury, product, or property damage.
- Nailing flanges and drip caps (integral or applied) do not take the place of window flashing. All QUAKER products must be properly flashed and sealed with material compatible sealant for protection against water and air infiltration around the entire exterior perimeter. Failure to do so could result in a product installation failure and property damage.
- Windows and doors must be properly shimmed. To properly shim a QUAKER product, follow relevant installation guidelines, and never set a window directly on a sill plate. Failure to shim properly is an installation failure that could result in product performance failure or property damage.
- Construction directly above an opening must be engineered and designed not to transfer loads directly to any windows or doors. If live or dead loads are transferred to a QUAKER product, this may affect functionality and result in glass failure or otherwise damage frame joinery, perimeter seals, or other aspects of the product. Proper construction of the rough opening must take place prior to the installation of the QUAKER product.
- Please confirm that any necessary vertical deflection of the head condition is consistent with the selected QUAKER product. Most QUAKER products are not designed to allow any deflection at the head condition. Shop drawings may indicate the maximum allowable vertical deflection at the head condition of a QUAKER product. If vertical deflection is a concern but shop drawings are not provided, please contact Quaker for assistance.
- Windows and doors have small parts that, if swallowed, could pose a choking hazard to young children. Please dispose of unused, loose, or easily removed small parts. Failure to do so could result in injury or death.
- Do not drill through or into the sill or frame of any QUAKER products, whether to install alarm wires or for any other reason.

Sealing

- Follow supplier instructions for proper application of minimally expanding foam, sealant, water resistant barrier or liquid barrier, and flashing products and systems to ensure safety, proper material application, compatibility, and to understand the need for periodic maintenance for continued weather resistance of their products. Failure to do so could result in product performance failure or property damage.
- Minimally expanding foam insulation must be compliant with AAMA 812.
- If silicone is selected as an appropriate sealant, Quaker recommends using 100% neutral cure silicone sealant, that is ASTM C920 compliant. Always clean and prepare the surfaces where the sealant will be applied per the manufacturer's recommendation. Once applied, properly tool the sealant in place. Failure to do so could result in product performance failure or property damage.
- Flashing tape must meet ASTM-D779 performance requirements.
- Maintain and properly seal a minimum of 1/4" gap (or whatever is specified within these installation instructions or shop drawings) around the perimeter of the window or door frame and the exterior finish materials. Failure to do so could result in product installation failure or property damage.

Joining

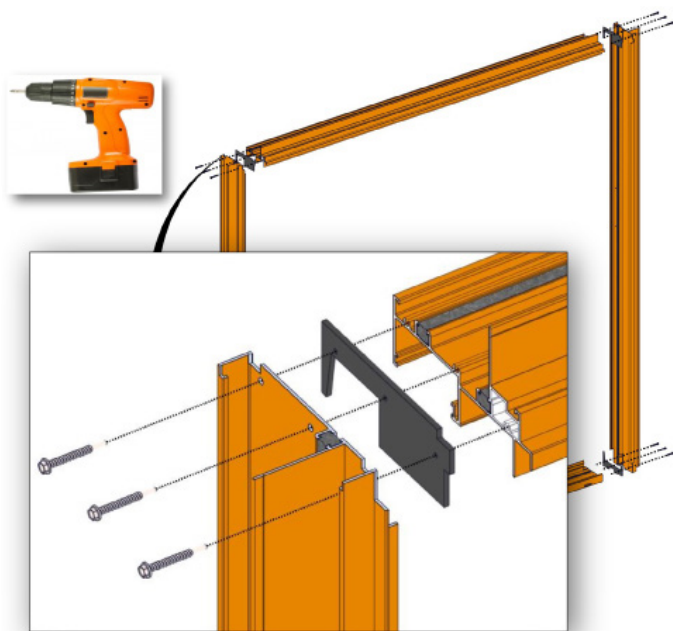
- Do not join any Quaker product to another product that is not designed for joining. Joined products must be individually supported in the opening. Failure to do so could affect operation and product performance and could result in a product installation failure or property damage.

Cleaning

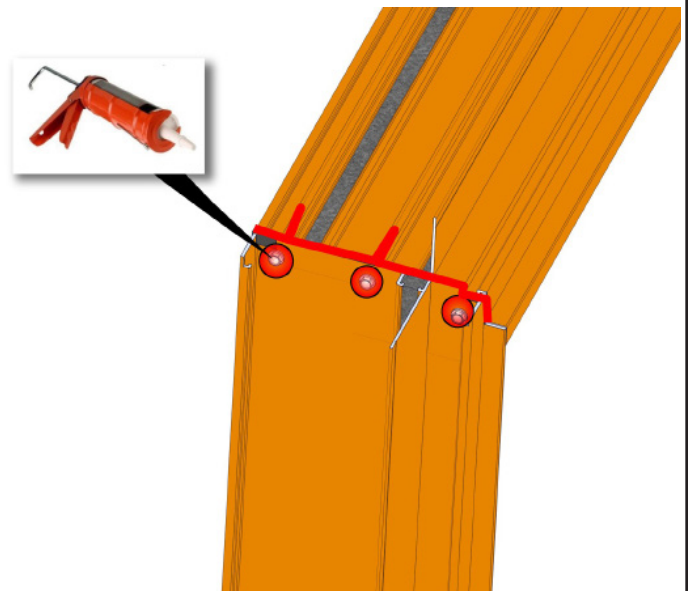
- Do not use any cleaning agent other than a mild, non-abrasive window washing solution or glass cleaner applied in accordance with any product labeling instructions and Quaker's care and maintenance instructions. The use of harsh chemicals (such as brickwash, bleach, alcohol, hydrochloric acid, or muriatic acid) for cleaning or other purposes may damage QUAKER products, glass, fasteners, hardware, seals, sealant, or metal flashing. Please protect these products by following the cleaning product's instructions for its proper use.
- Do not use a razor blade to clean a glass surface, as damage to the glass may result.

IMPORTANT

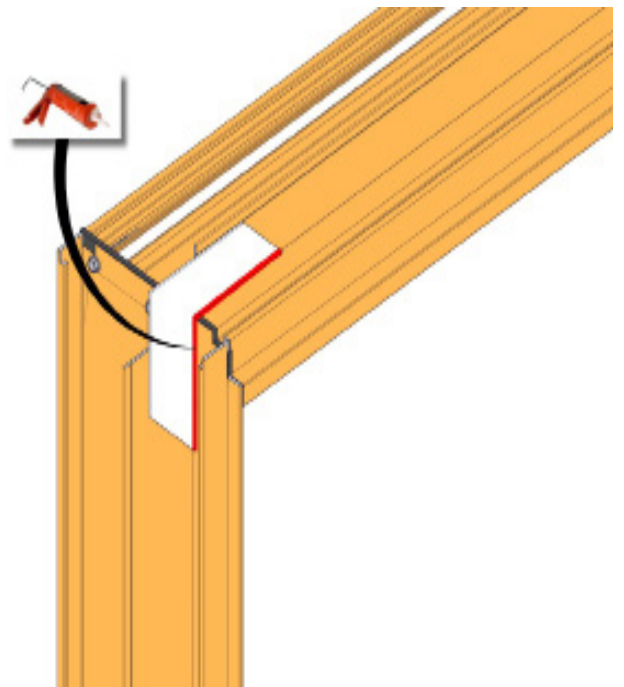
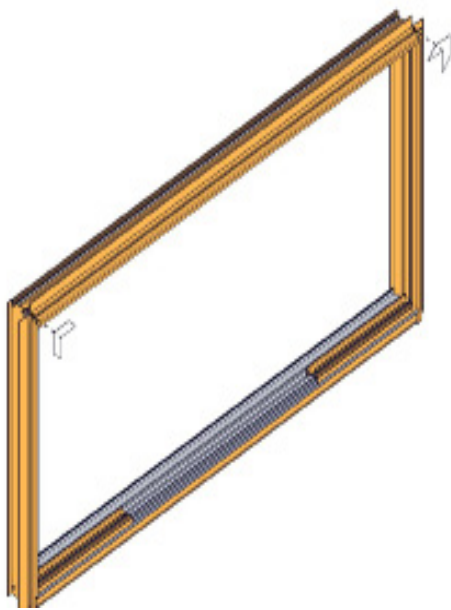
- Buildings constructed prior to 1978 may contain lead paint which could be disturbed during window or door replacement. For more information on proper management of lead paint, go to: www.epa.gov/lead
- Care must be taken to properly recycle or dispose of used or old materials. Any recyclable material should be separated from non-recyclable or hazardous materials. Please consult with local or state authorities regarding proper disposal of non-recyclable or hazardous materials.
- Inspect all window and door units for any damage or defects prior to installation. Contact the nearest QUAKER distributor if there are any problems or issues.
- **WARNING:** This product can expose you to chemicals, including titanium dioxide or methanol, which are known to the State of California to cause cancer and birth defects or other reproductive harm. For more information go to www.P65Warnings.ca.gov
- **WARNING:** Drilling, sawing, sanding, or machining wood products can expose you to wood dust, a substance known to the State of California to cause cancer. Avoid inhaling wood dust or use a dust mask or other safeguards for your personal protection. For more information go to www.P65Warnings.ca.gov
- When installation is completed, operable window and door products, and related hardware or equipment, may require some adjustments. Confirming operability and making minor adjustments are within the scope of the installation services performed by others.

1

Apply the head and sill gaskets to each end of the head and sill. Assemble jambs to head and sill assembly with the 12 fasteners provided (MH8-18X11/2 LP) Install the jamb with the door keeper holes to the side of the sill that does not have the fixed panel adapter.

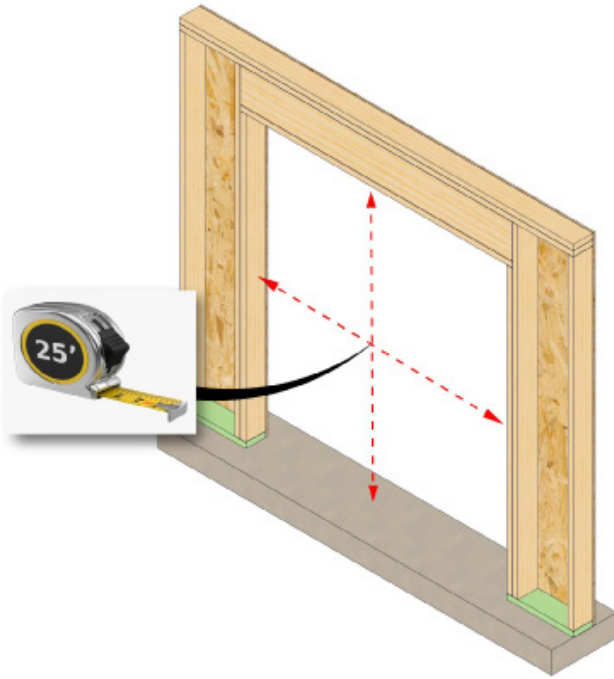
2

For KD and pre-assembled frames, seal around all screw heads, exposed screw threads, and outside corners.

3

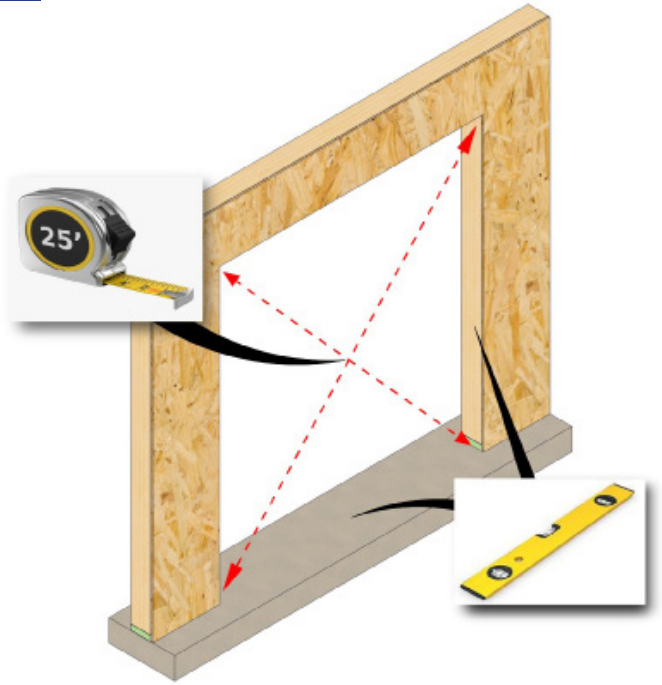
Clean the nail fin corners prior to installing the corner gaskets to the exterior side of nail fin corner gaps. Apply sealant along the edge where the gasket meets the door frame.

4



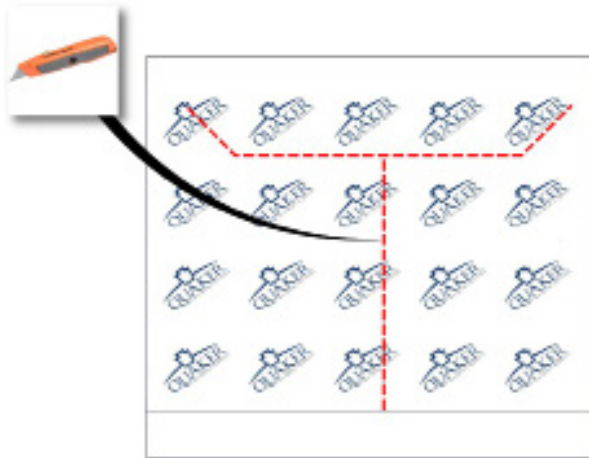
Measure and verify the rough opening is sized correctly. The rough opening should be 3/4" wider and 1/2" taller than the unit. Allow additional space for flashing thickness, installation clips, joining components, and their fasteners.

5



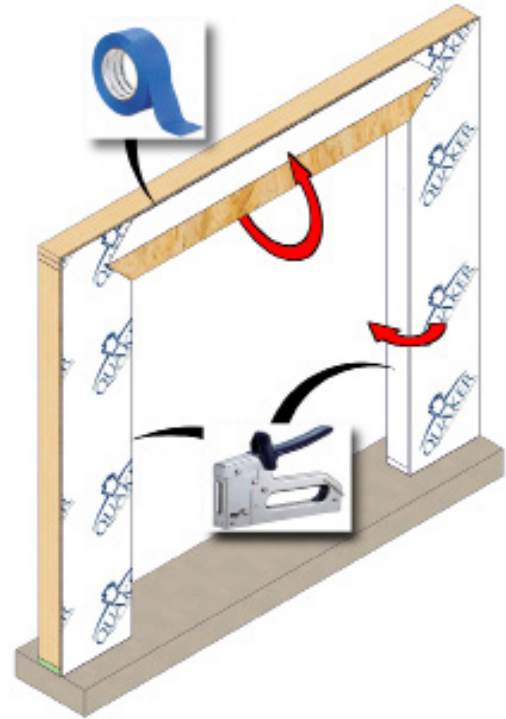
Check that the opening is square. The diagonal measurements need to be within 1/8" of each other. Verify the rough opening is plumb and level. **The sill plate beneath the unit must be level for proper unit operation.**

6



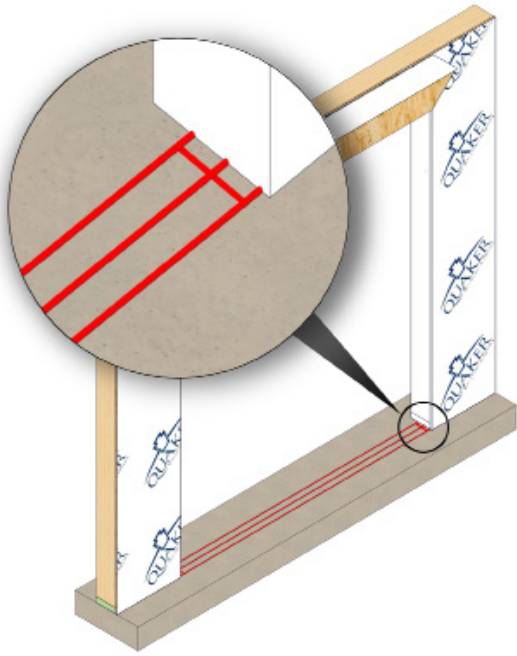
Apply the house wrap according to the manufacturer's instructions and cut T-pattern opening as shown. Cut top flap angles at 45 degrees and 1" longer than the width of flashing tape being used.

7



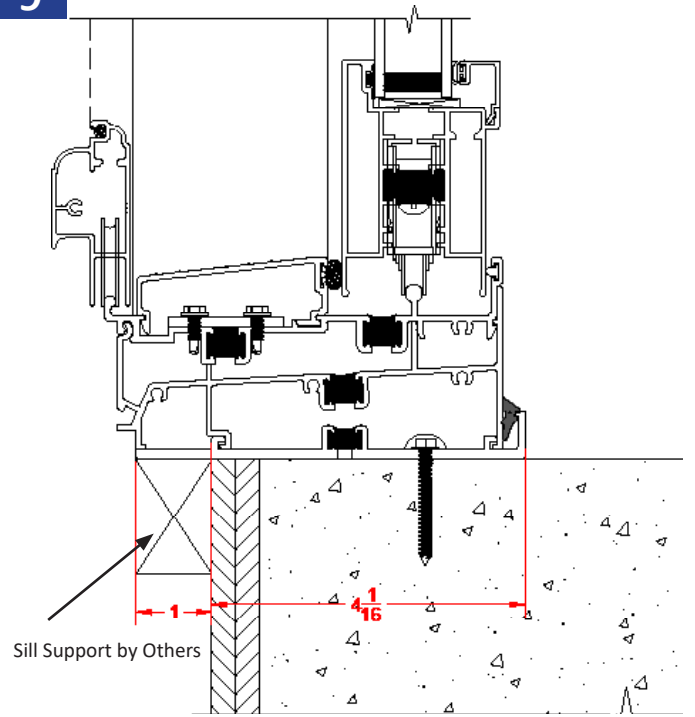
Fold the house wrap around the jambs to the interior and staple it to the interior framing. Fold the house wrap flap up and temporarily tape it in place.

8



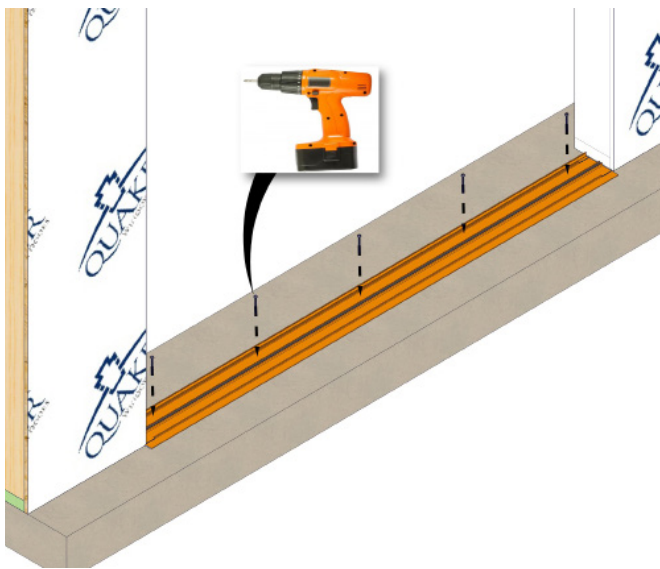
The sub-sill anchor plate will set 4 1/16" in from the exterior face of wall framing. Apply three 3/8" continuous beads of sealant across the entire width of the rough opening sill where the sub-sill anchor plate will set. Apply two 3/8" continuous beads the depth of the anchor plate, 1/2" from each side of opening as shown above.

9



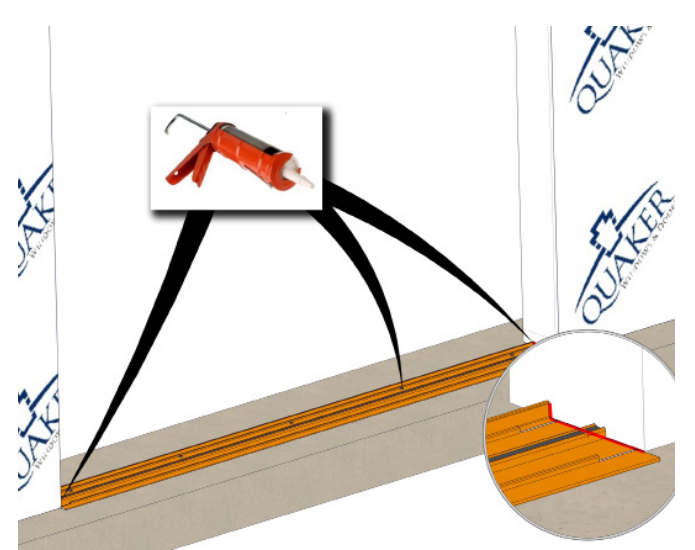
Install the sub-sill anchor plate 4 1/16" in from the exterior face of wall framing. The unit must be supported the full width and depth of the sill.

10



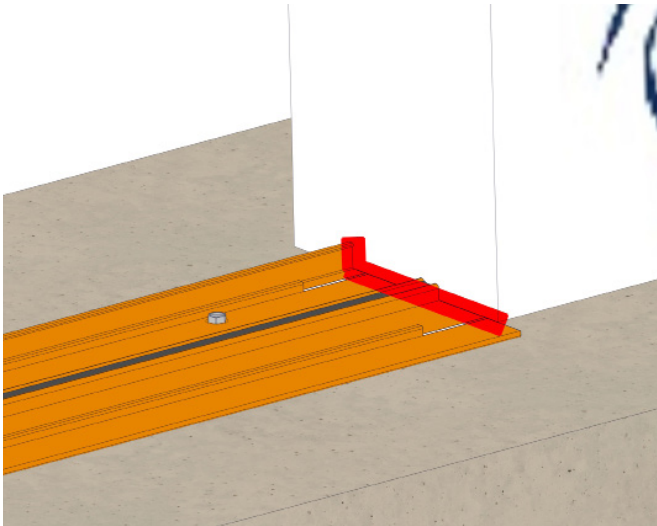
Fasten sub-sill anchor plate as shown above. Fasten the unit every hole or a minimum of 12" on center.

11



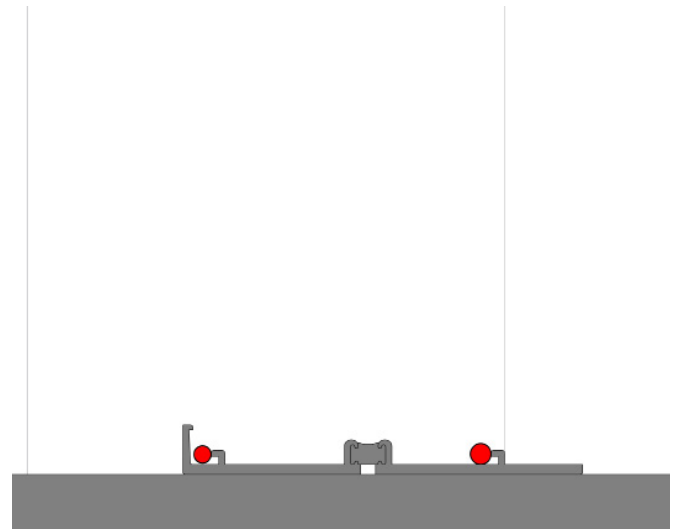
Apply sealant over fastener heads and at the ends of the sub-sill anchor plate where the plate meets the wall framing.

12



Be sure to run a bead of silicone across the plate and up the interior leg as shown above.

13



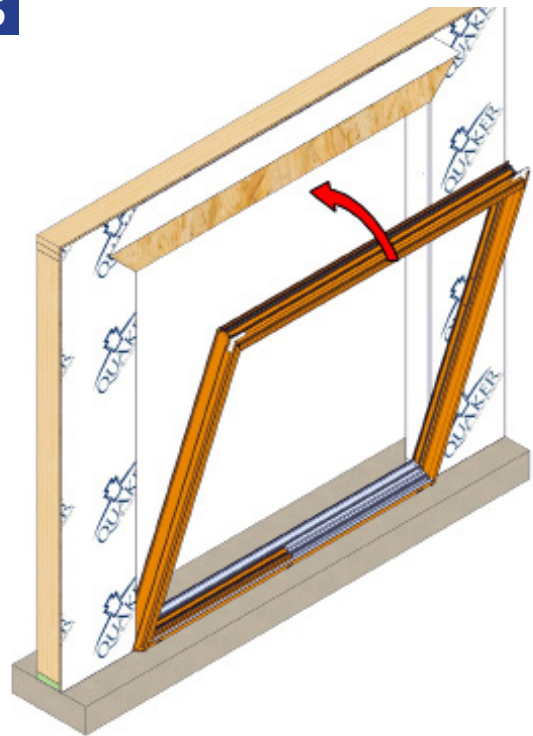
Run a continuous bead of sealant along each leg the entire width.

14



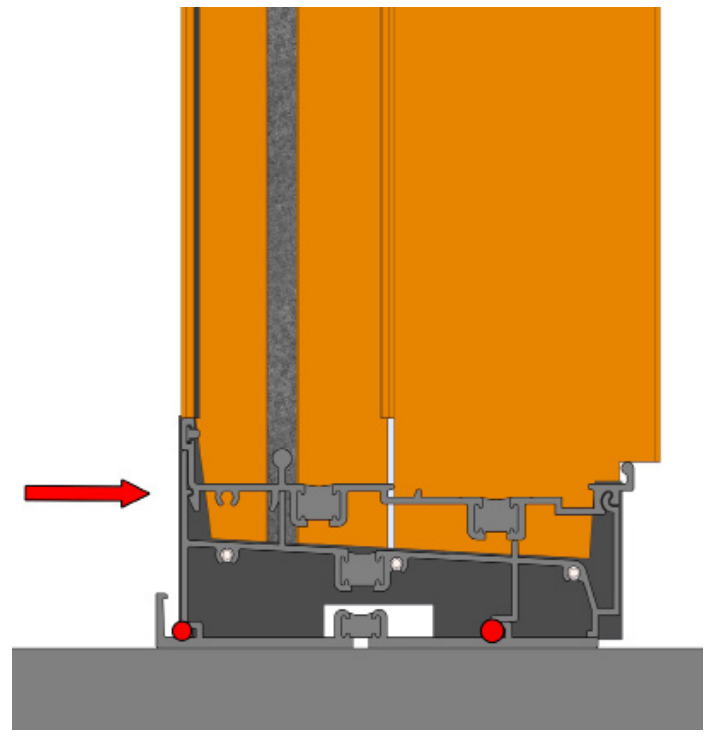
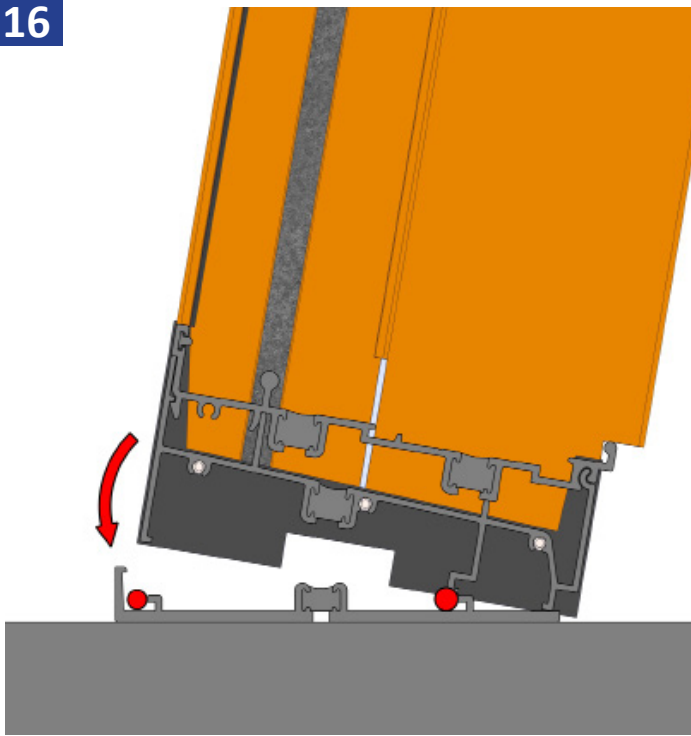
Apply a continuous 3/8" diameter bead of sealant along the backside of the nailing flange. Bead must run around both sides and across the head, in line with and completely covering the nail flange holes.

15



Center and set the door frame into the rough opening, making sure there are equal gaps on both sides of the door.

16



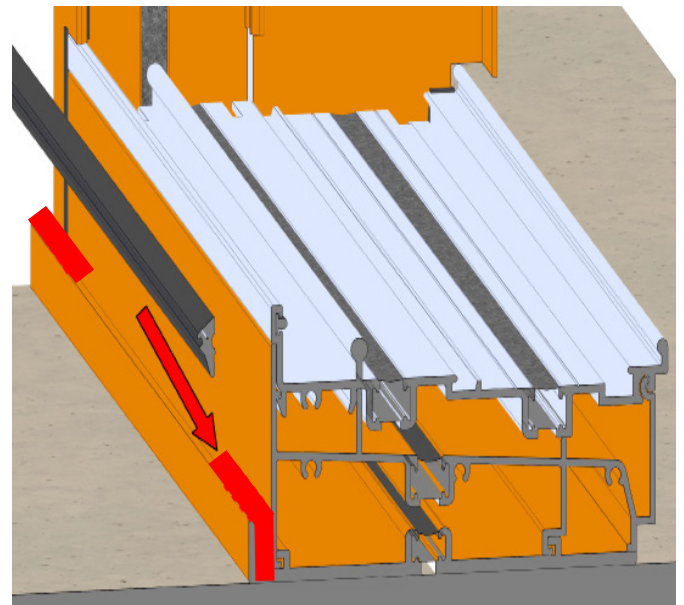
Angle the door frame with the top tilted out, and set the exterior sill frame inside the exterior leg of the sub-sill anchor plate as shown above. Tilt the door frame in against the wall framing, and push the sill out to lock the sill into the sub-sill anchor plate.

17



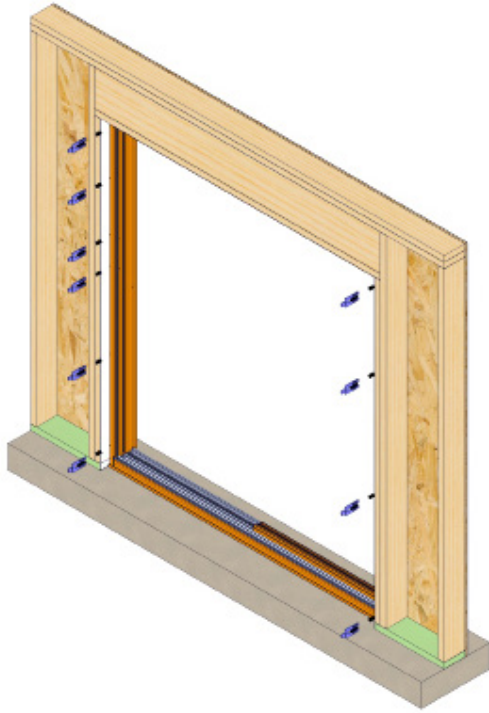
Temporarily tack the door into place using 2" galvanized roofing nails through the pre-punched holes on one top corner of the nailing flange.

18



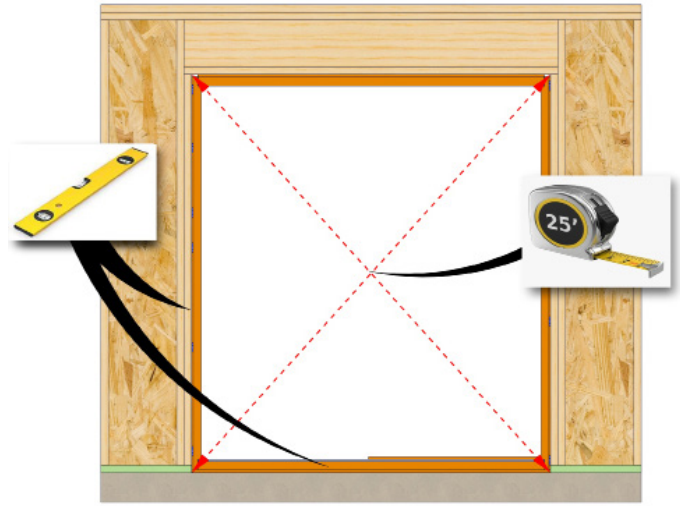
Run a 1" long bead of silicone completely filling the wedge gasket track at each end. Then install wedge gasket.

19



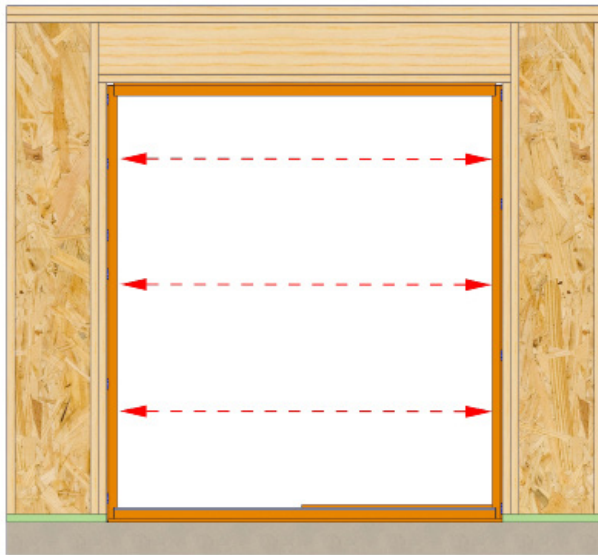
Shim at the sides of the door, and at the lock location as shown above. Never shim at the head.

20



Check that the door is square. Adjust shims as needed until diagonal measurements are within 1/8". Level at the sill and plumb the frame.

21



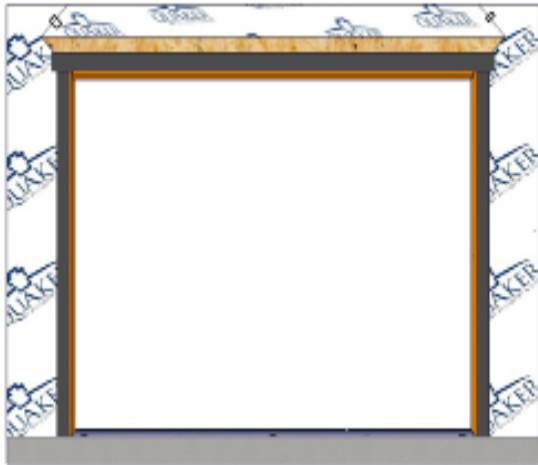
Check that the door frame is not bowed. Adjust shims as needed until measurements are within 1/8". Finish fastening the unit every hole or a minimum of 12" on center.

22



Apply flashing tape at the sides of the door as shown. Smooth using a J-roller. Extend tape a minimum of 2" past door frame, but not more than the thickness of the flashing tape.

23



Apply a 3/8" sealant bead to the top exterior edge of door frame before installing the drip cap.
 Apply flashing over the drip cap leg, overlapping the side flashing as shown. Smooth using a J-roller.



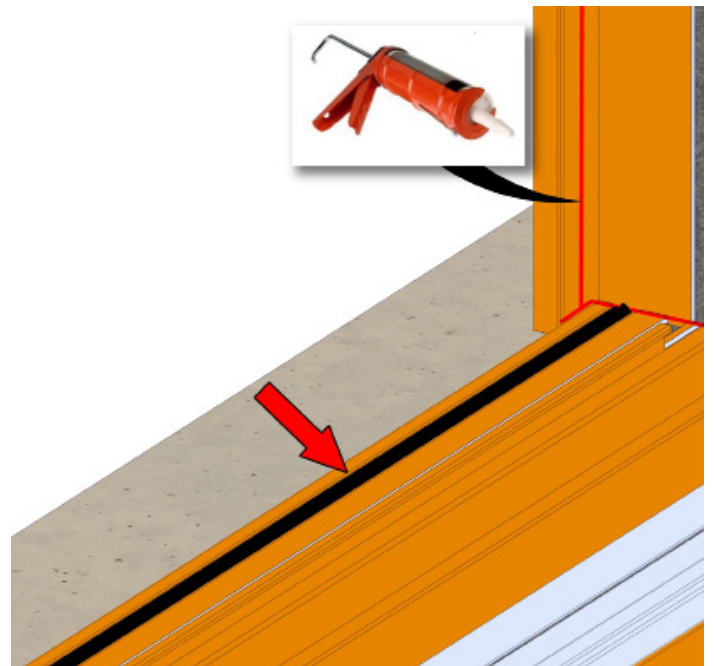
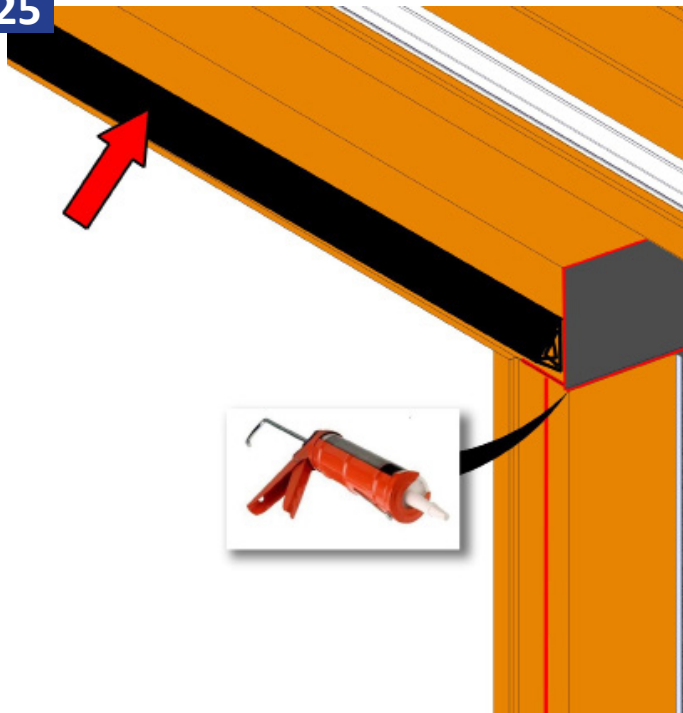
Side flashing cannot extend above the top flashing.
 Doing so could result in product or property damage.

24



Unfold the house wrap top flap and tape the angled seams as shown.

25



Remove the white paper off the applied foam tape from the header and sill. (This is a single sided tape. No adhesive will be exposed.) Next seal the inside edge corners at the head, sill, and jamb where the fixed panel will set in the frame, as shown above.

26



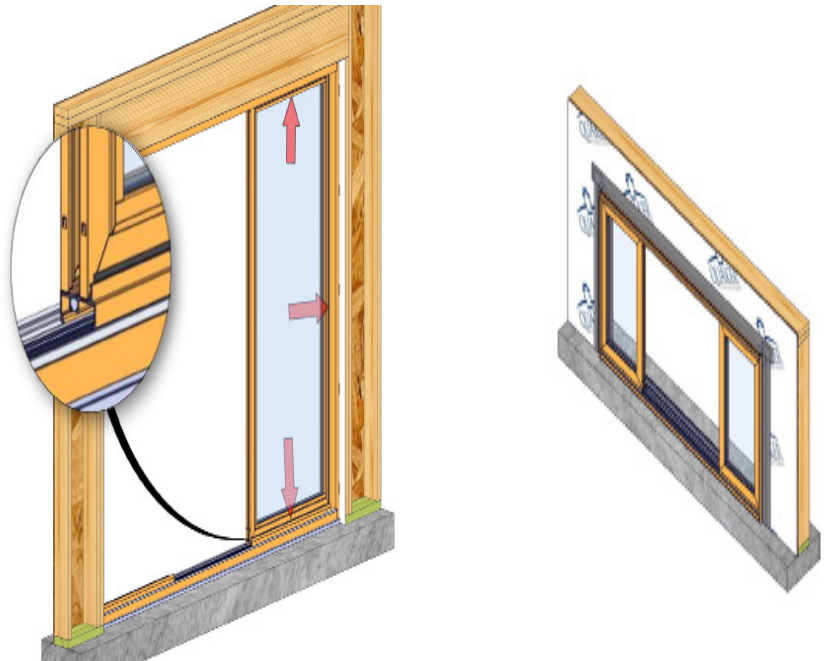
Angle the fixed panel with the top inserted into the head track, and then lift and set the bottom of the panel on the fixed panel extrusion in the sill.

27



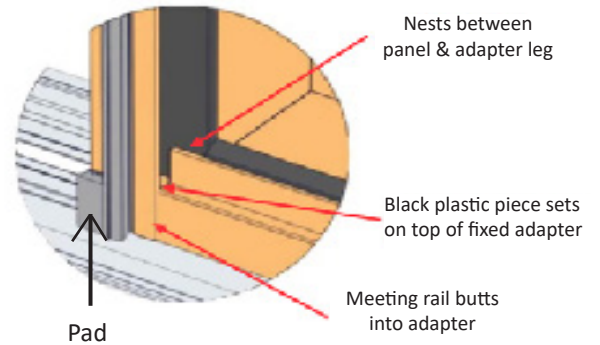
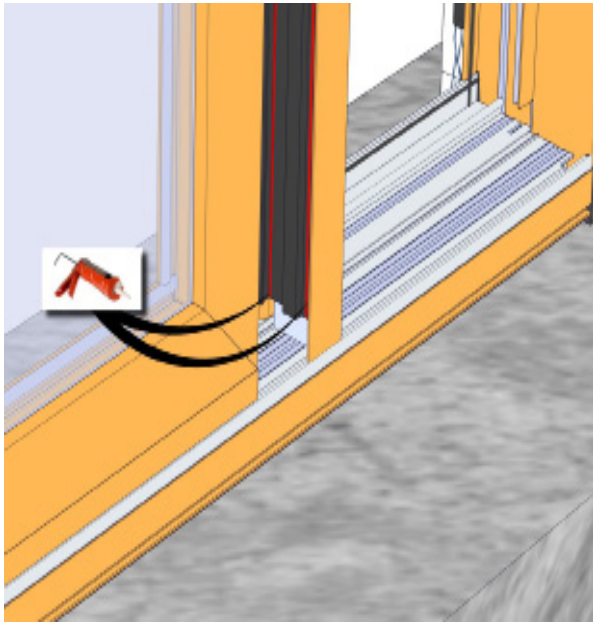
Slide the panel tight against the frame keeping the panel flush with the fixed panel extrusion in the sill.

28



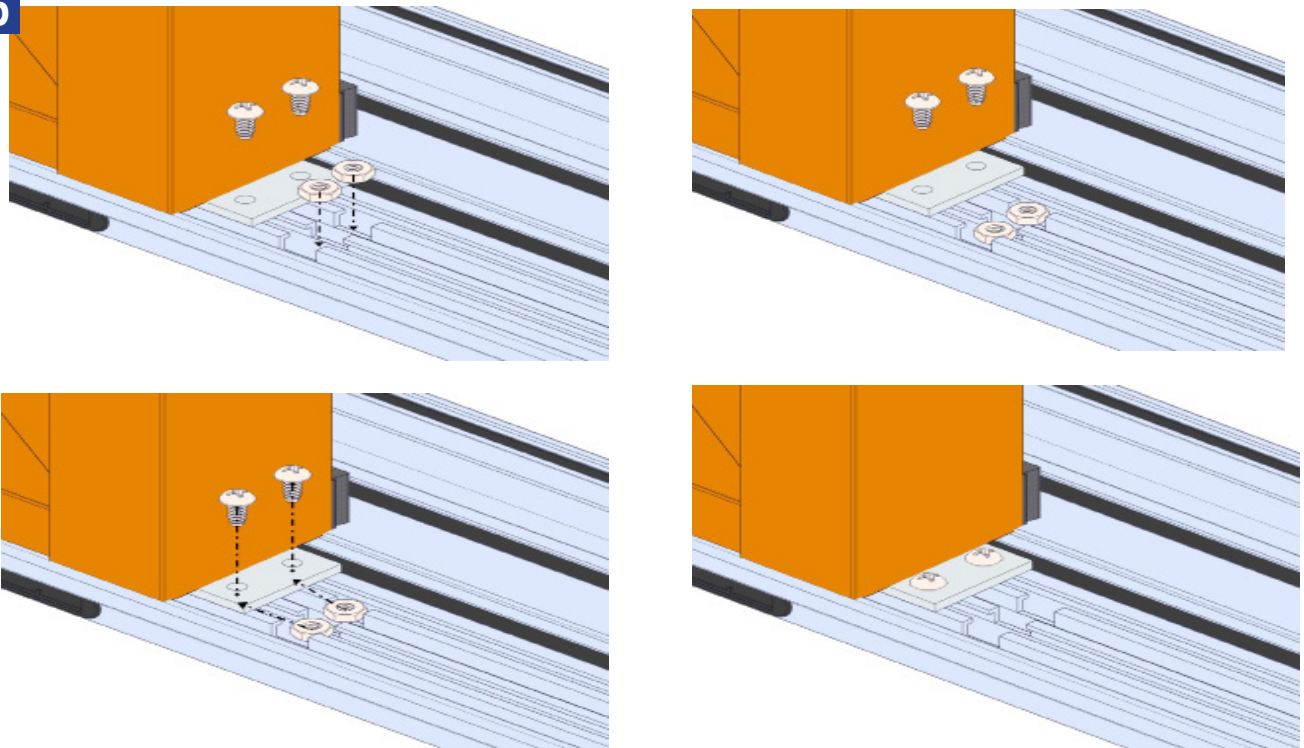
Install wedge gasket in the sill, head, and jamb around the interior of the frame and panel to secure the panel in place.
Repeat steps 26, 27, and the first step of 28 for the other stationary panel.

29a



Apply a bead of sealant to inside edges of meeting rail before sliding the pre-assembled meeting rail against the fixed panel. Stick small pads at the head and sill. Please see steps 29b and 29c for series specific guidelines.

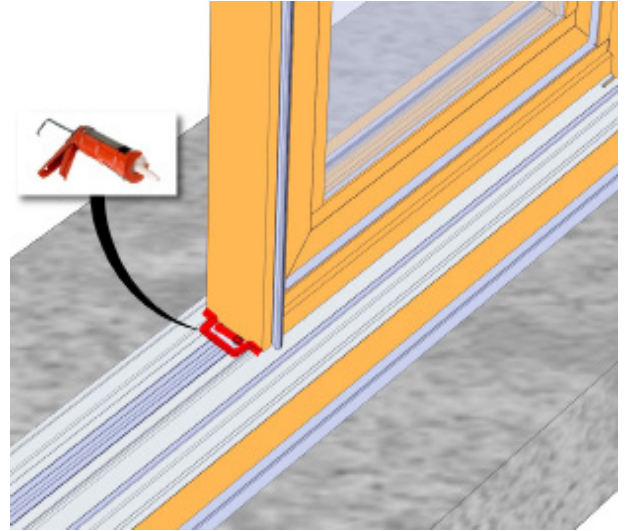
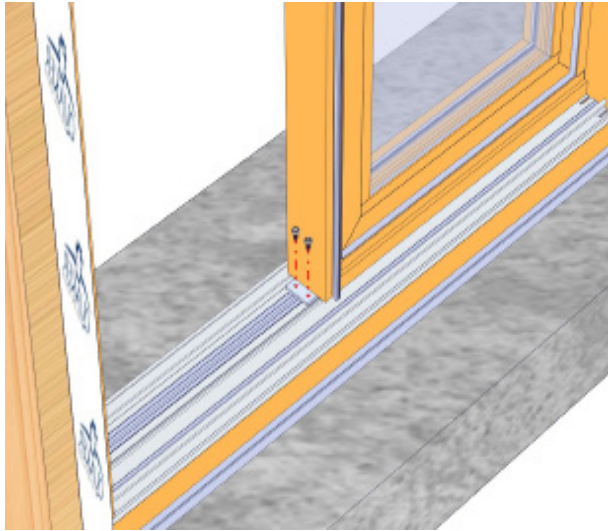
29b



For ModernVu and M204 units, install the meeting rail using supplied (MH8-18X1/2 TK2) screws in the head, and (MP10/24X3/8 & 10-24 NUT) screws and nuts in the sill angle brackets.

For all other M-Series units, please see step 29c.

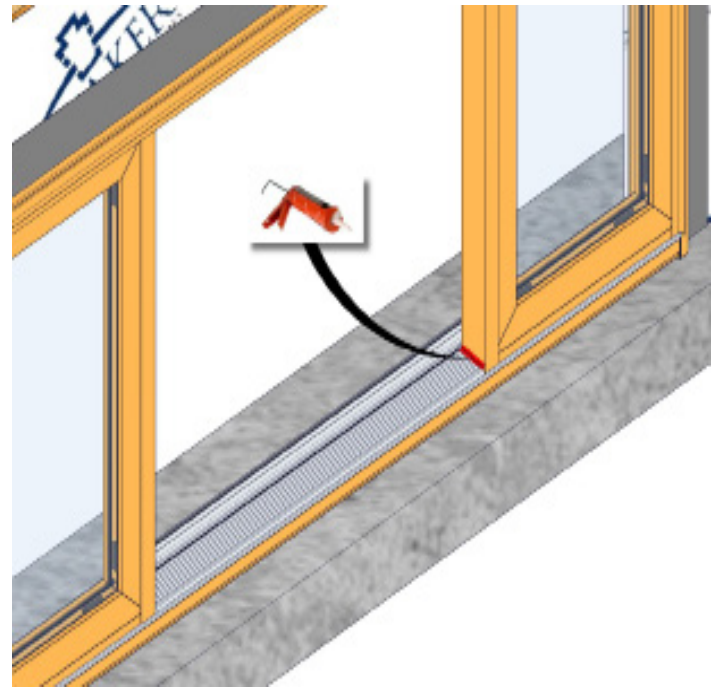
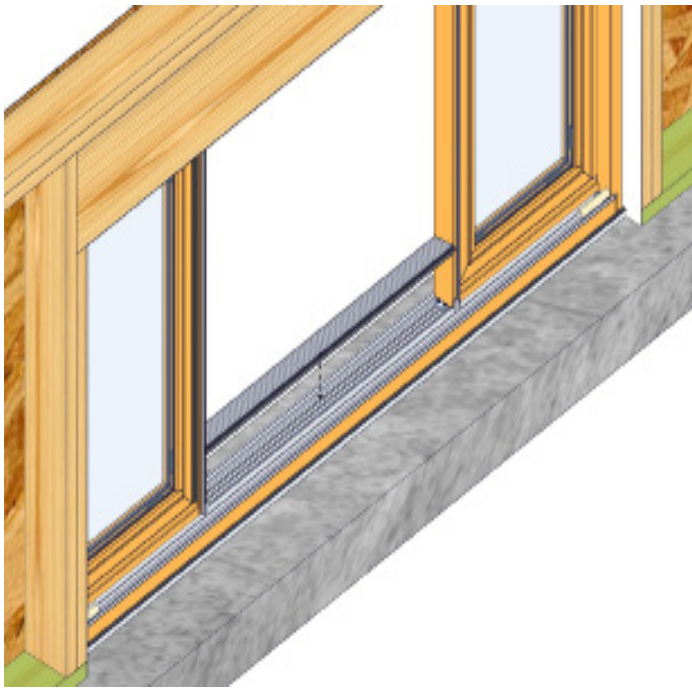
29c



For all other M-Series units, install the pre-assembled meeting rail against the fixed panel and install using supplied (MH8-18X1/2 TK2) screws in the head and sill angle brackets.

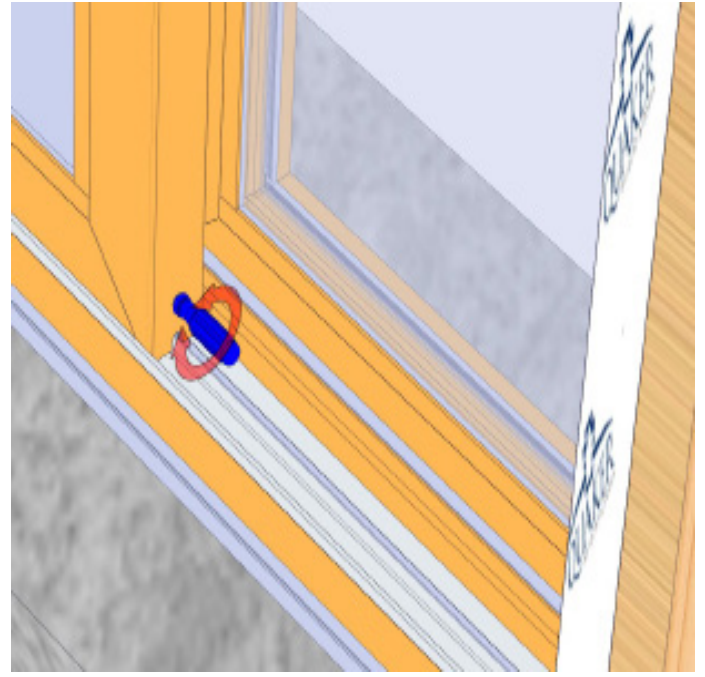
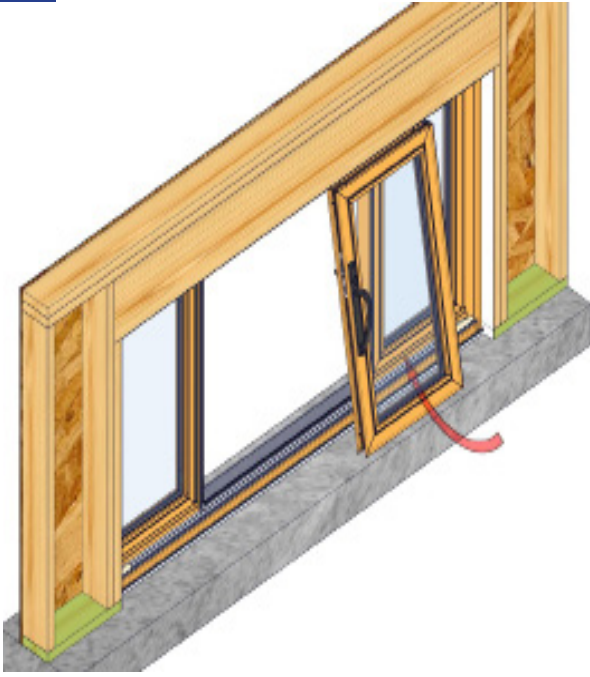
Apply sealant over the screw heads in the head and sill and along the perimeter of the angle brackets.

30



Install threshold on the exterior side of frame covering the bottom L-angle bracket. Seal around the two ends of the threshold against the frame.

31



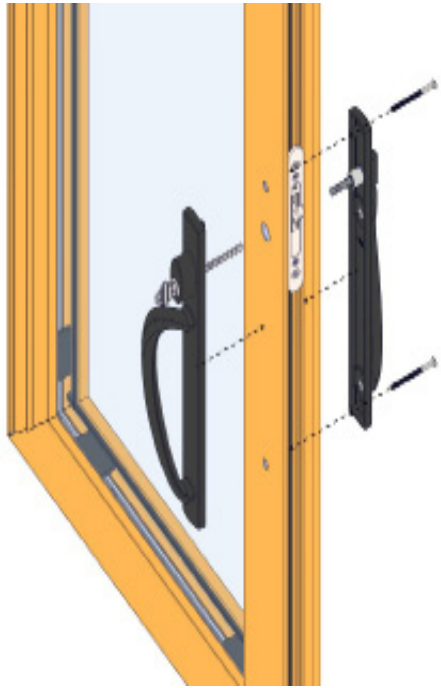
Angle the active panel with the top inserted into the head track, and then lift and set the bottom rollers on the roller track. Use a Phillips #3 screwdriver to adjust the rollers as needed to ensure the panel is level, square, and slides smoothly. Lift on the panel while adjusting, do not use a drill to adjust. Repeat above steps for the other active panel.

32



Slide active panel open all the way and use a putty knife to pull threshold cover weather strip up to help seal against the active panel.

33



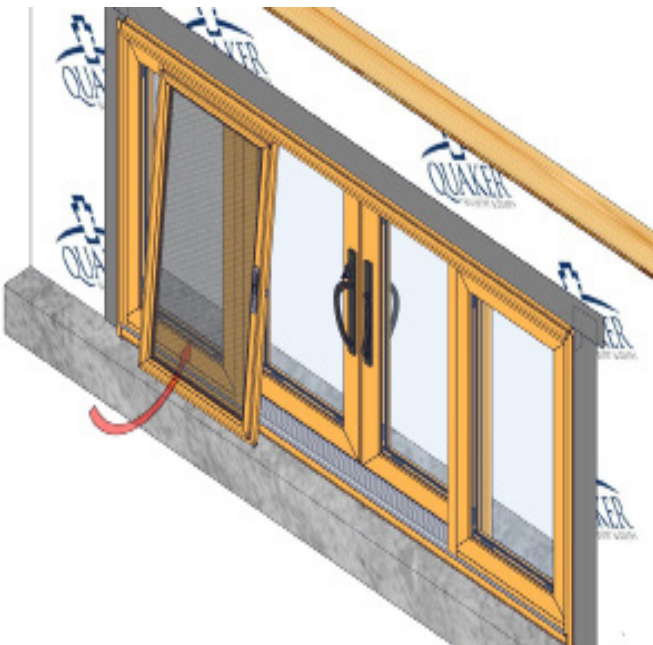
Install handle set using provided instructions found in the hardware box.

34



Install astragal to one active panel with provided screws. Make sure the lock notch matches up with lock.

35



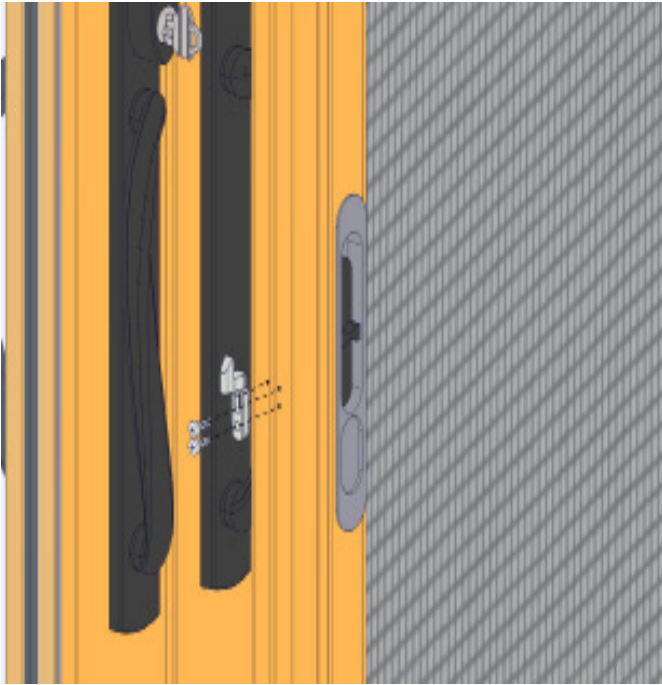
Angle the screen panel with the top inserted into the head track, and then lift and set the bottom rollers on the roller track. Adjust rollers as needed to insure the panel is level, square, and slides smoothly. Repeat above steps for the other screen.

36



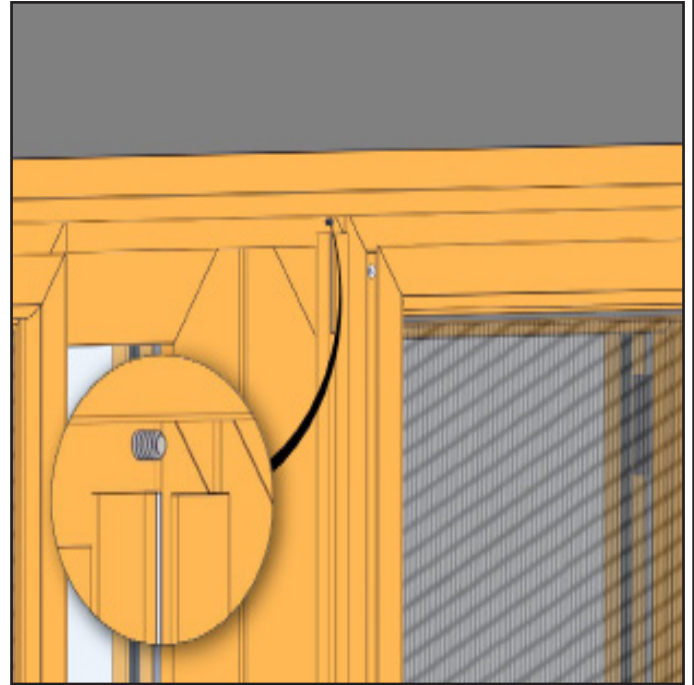
Snap the screen astragal piece into one of the screen ends.

37



Install screen lock keeper into astragal rail.

38



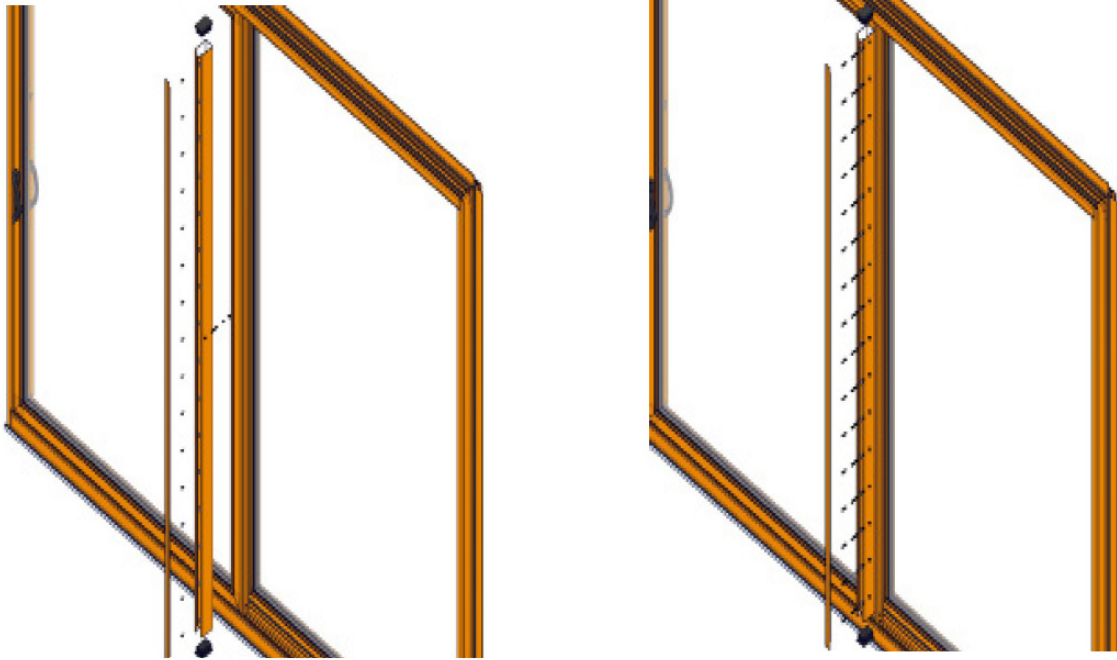
Install a stop screw into the head frame to keep screens centered when locked.

39



Fill interior 1/3 of cavity using low expanding foam or backer rod and apply sealant continuously around entire perimeter of opening.

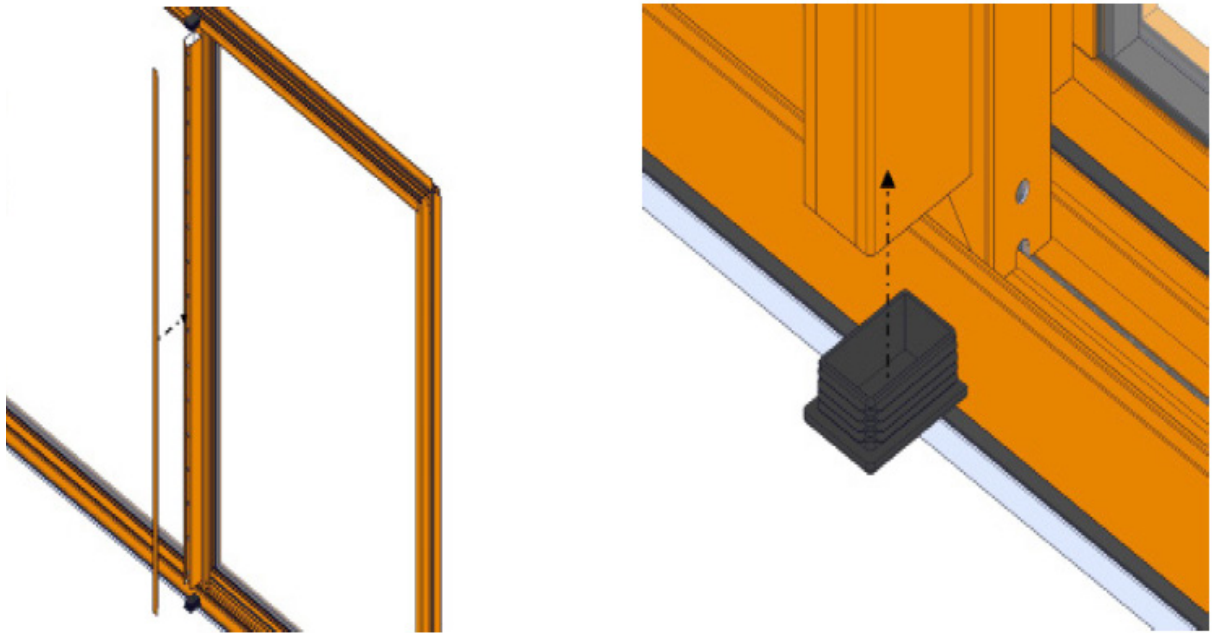
40



If reinforcing tube is to be applied, center the reinforcing tube on the active panel's meeting rail, and install using supplied (MH8-18x1/2 TK2) screws.

M600 ONLY

41



Install reinforcing cover and end caps to reinforcing tube.

M600 ONLY