

W600/W605 Series 5 7/8" Overall Frame Depth Fixed (Picture Window)

W600/W605 Series Fixed (Picture Window)

Features

- ◊ **Framing System**
 - Patented OptiCore Technology
 - Architectural grade aluminum exterior
 - Dual Euro-Groove frame system
 - 5 7/8" Overall Frame Depth (4 3/8" from fin to interior)
- ◊ **Enhanced Design**
 - Azo-Core Thermal Barrier System for reduced thermal-conductivity and increased energy-efficiency
 - Pine wood interior
 - Modern, squared frame glazing
 - 1 5/8" narrow sitalines
 - With or without Integral Nailing Fin
- ◊ **Glazing**
 - 1" insulating glass
 - Dual-sealed Warm Edge Super Spacer system

Benefits

- ◊ Capacity to match exterior colors for unique project facades
- ◊ Two-tone capabilities with a color to match the building interior and another to match the exterior
- ◊ Maximum sizing affords the facilitation of large sizes for taller and wider window openings
- ◊ Dynamic thermal performance for a wood clad window

Performance

- ◊ Structural & Thermal (test reports available upon request)

Model	Fixed (Picture Window)
NAFS Rating	Up to AW-100
Test Size	72" x 120"
Design Pressure (P.S.F.)	Up to 100
Air Infiltration (cfm/ft ²)	<0.10
Water Resistance (P.S.F.)	Up to 15
CR (Condensation Resistance)	47-80
U-Value (ranges based on multiple Low-E/Argon combinations)	0.14-0.33
SHGC (ranges based on multiple Low-E/Argon combinations)	0.13-0.57
OITC/STC (ranges based on the use of multiple glass pane thicknesses.)	25-31/30-36

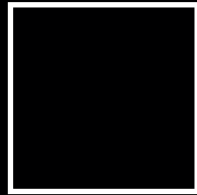
Due to periodic re-certification requirements, result shown may vary.

Options

- ◊ **Available Configurations**
 - Fixed
 - Continuous frame capabilities
- ◊ **Enhanced Design**
 - Traditional/Historic beveled frame glazing (W605 Series)
 - If using wire-frame set-up with an operating unit as part of the design, 2 7/8" casement framing will be used
- ◊ **Muntin Choices**
 - Internal or simulated divided lites available
- ◊ **Glazing**
 - Multiple Low-E and argon glazing choices
 - Impact-rated glazing package
 - Glazing pocket can accept up to 1 3/8" insulating glass for sound attenuation purposes
 - Triple glazing
 - Capillary tubes
 - Wide variety of tinting and pane thickness options
- ◊ **Panning & Trim Choices**
 - Wide variety of panning, receptor and trim available
- ◊ **Mulling**
 - Wide variety of structural mulls

Our products are tested to the standards of and certified by some of the foremost organizations in the fenestration industry.



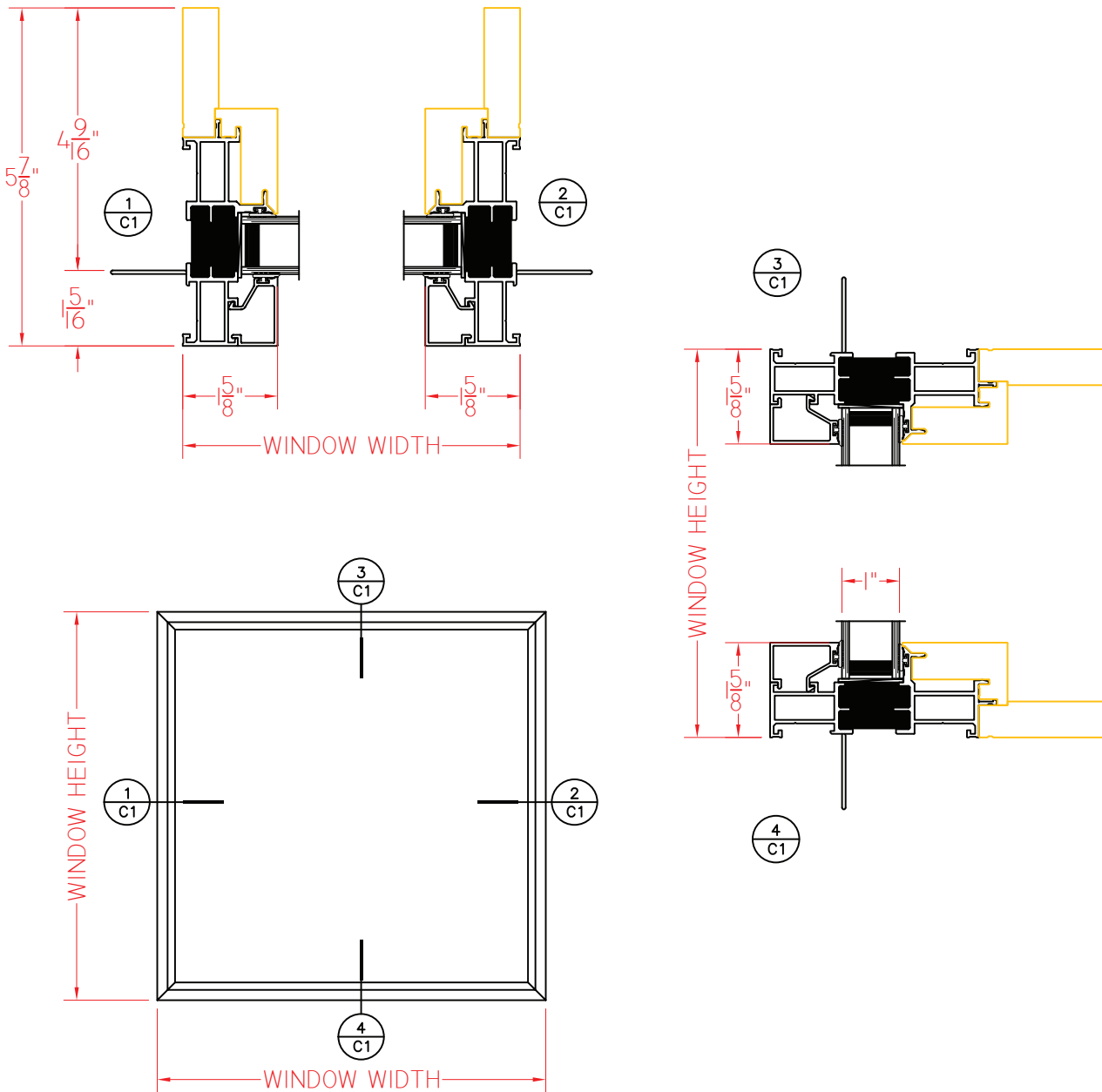


W600 Series 5 7/8" Overall Frame Depth Fixed (Picture Window)

W600 Series Fixed (Picture Window)

Shown with Nailing Fin
and Square Glazing Stops

This document contains confidential and proprietary information intended for the private use of Quaker.
© 2019 Quaker Window Products Co., Inc. All rights reserved.
Quaker reserves the right to change any/all designs without notice.

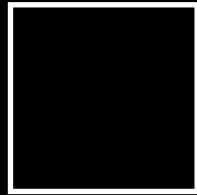


ELEVATION SCALE 3/4" = 1'-0"

SCALE 1:3

Our products are tested to the standards of and certified by some of the foremost organizations in the fenestration industry.



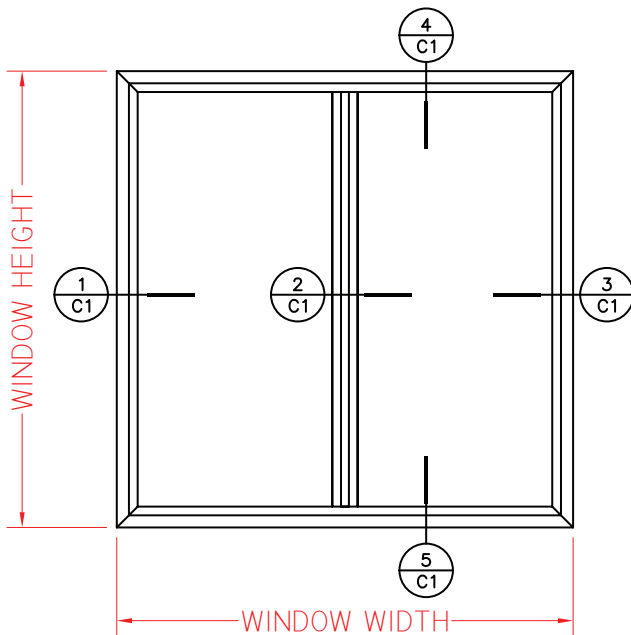
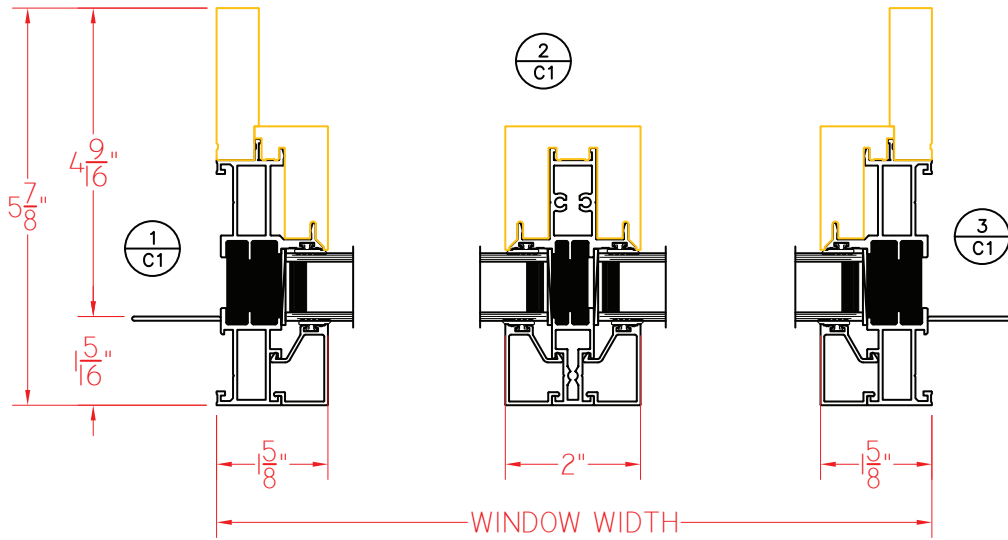


W600 Series 5 7/8" Overall Frame Depth Fixed (Picture Window)

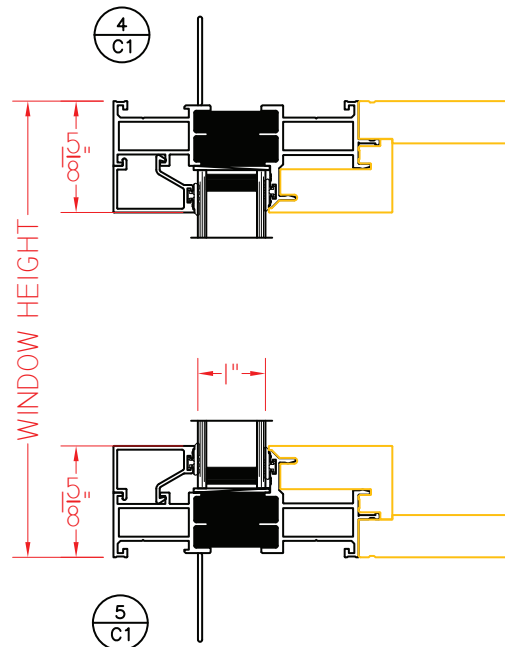
W600 Series Fixed/Fixed (Picture Window)

Shown with Nailing Fin and Square Glazing Stops

This document contains confidential and proprietary information intended for the private use of Quaker.
© 2019 Quaker Window Products Co., Inc. All rights reserved.
Quaker reserves the right to change any/all designs without notice.



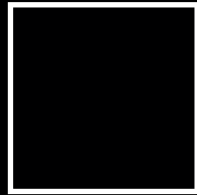
ELEVATION SCALE 3/4" = 1'-0"



SCALE 1:3

Our products are tested to the standards of and certified by some of the foremost organizations in the fenestration industry.



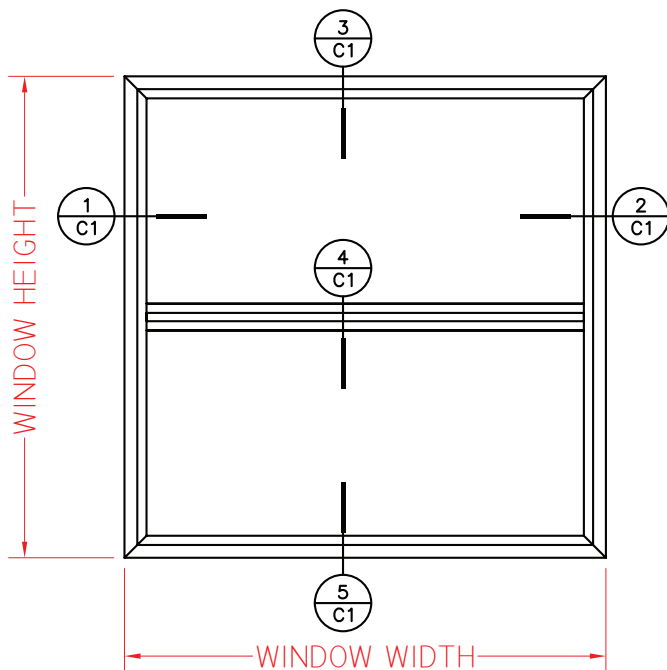
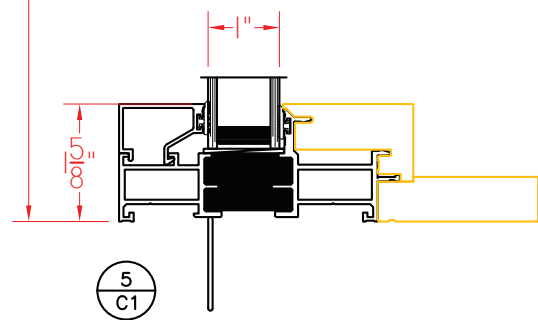
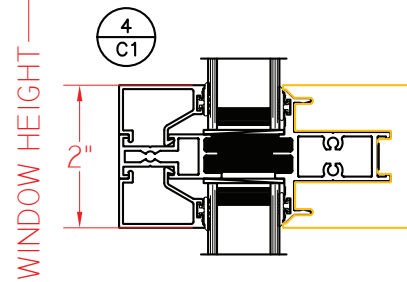
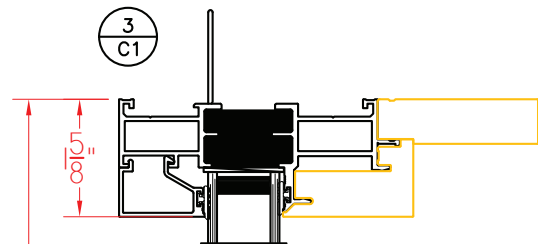
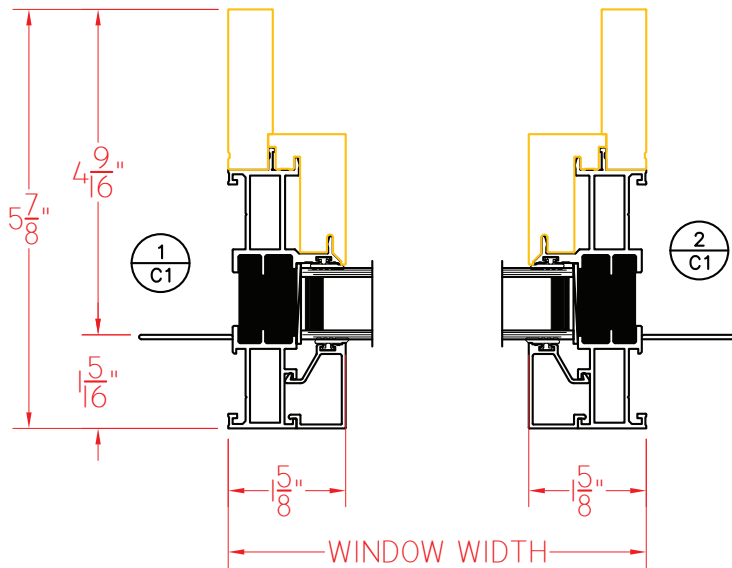


W600 Series 5 7/8" Overall Frame Depth Fixed (Picture Window)

W600 Series Fixed/Fixed (Picture Window)

Shown with Nailing Fin and Square Glazing Stops

This document contains confidential and proprietary information intended for the private use of Quaker.
© 2019 Quaker Window Products Co., Inc. All rights reserved.
Quaker reserves the right to change any/all designs without notice.

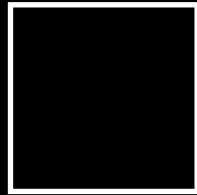


ELEVATION SCALE 3/4" = 1'-0"

SCALE 1:3

Our products are tested to the standards of and certified by some of the foremost organizations in the fenestration industry.





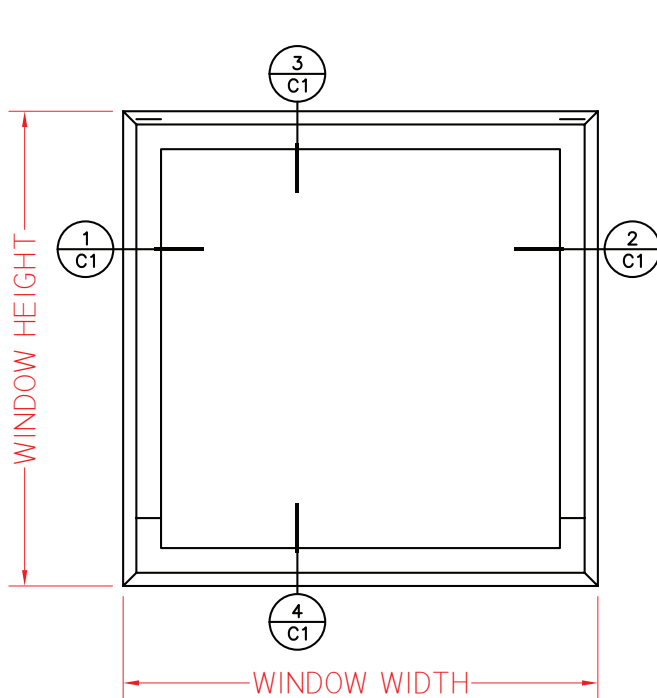
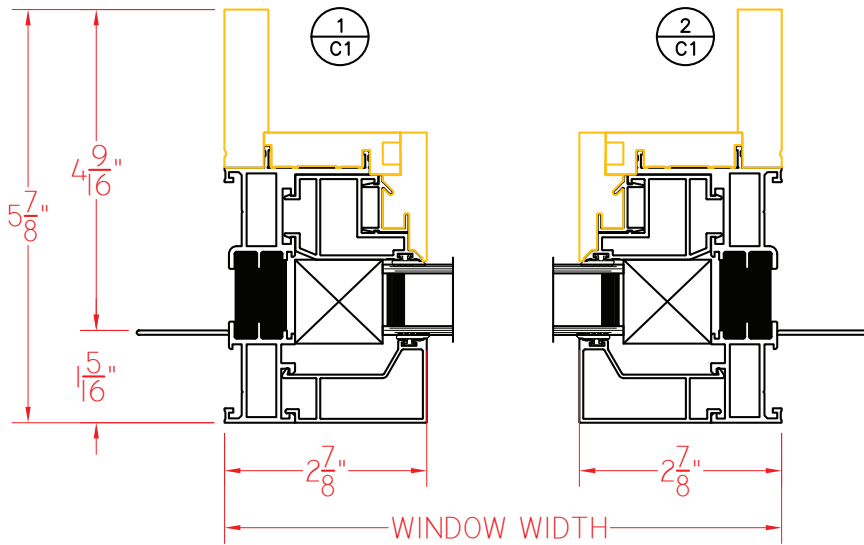
W600 Series 5 7/8" Overall Frame Depth Fixed Wider Frame (Picture Window)

W600 Series Fixed Wider Frame (Picture Window)

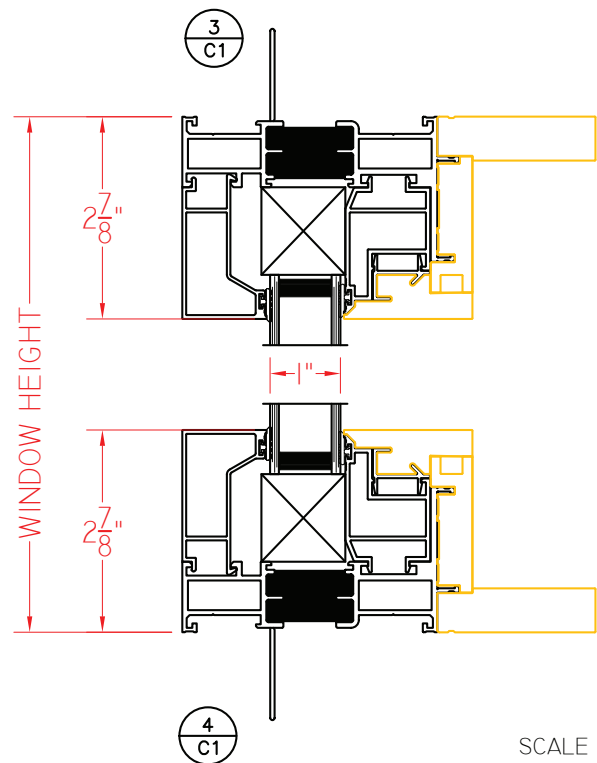
Shown with Nailing Fin and Square Glazing Stops

NOTE: Wider frame model (2 7/8" sightlines) is to be used in continuous frame set-ups incorporating at least one operating unit

This document contains confidential and proprietary information intended for the private use of Quaker.
© 2019 Quaker Window Products Co., Inc. All rights reserved.
Quaker reserves the right to change any/all designs without notice.

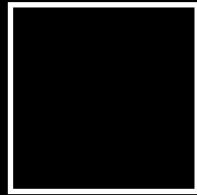


ELEVATION SCALE 3/4" = 1'-0"



Our products are tested to the standards of and certified by some of the foremost organizations in the fenestration industry.



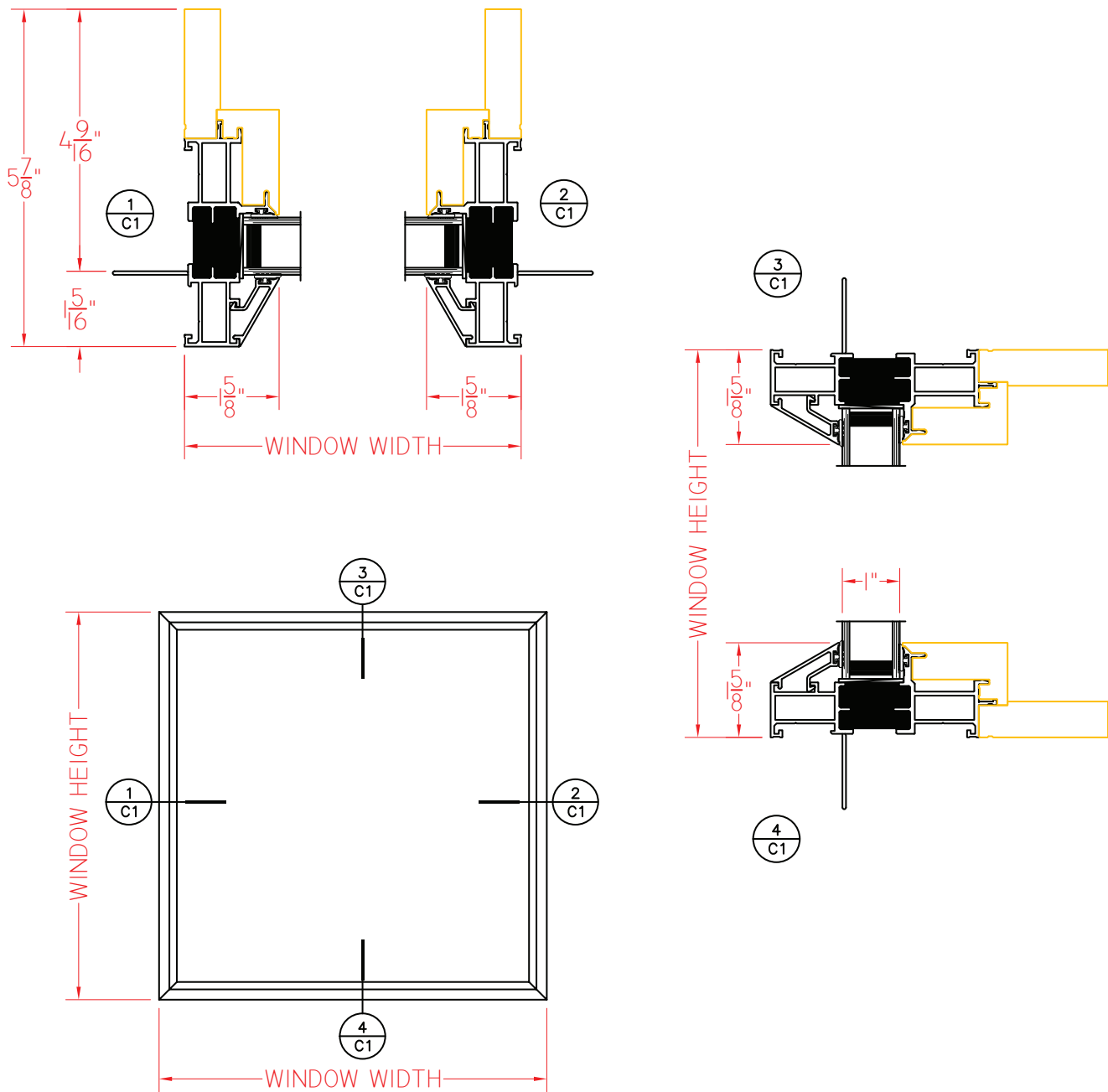


W605 Series 5 7/8" Overall Frame Depth Fixed (Picture Window)

W605 Series Fixed (Picture Window)

Shown with Nailing Fin and Beveled Glazing Stops

This document contains confidential and proprietary information intended for the private use of Quaker.
© 2019 Quaker Window Products Co., Inc. All rights reserved.
Quaker reserves the right to change any/all designs without notice.

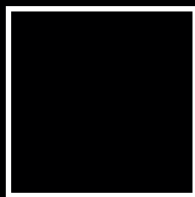


ELEVATION SCALE 3/4" = 1'-0"

Our products are tested to the standards of and certified by some of the foremost organizations in the fenestration industry.



SCALE 1:3

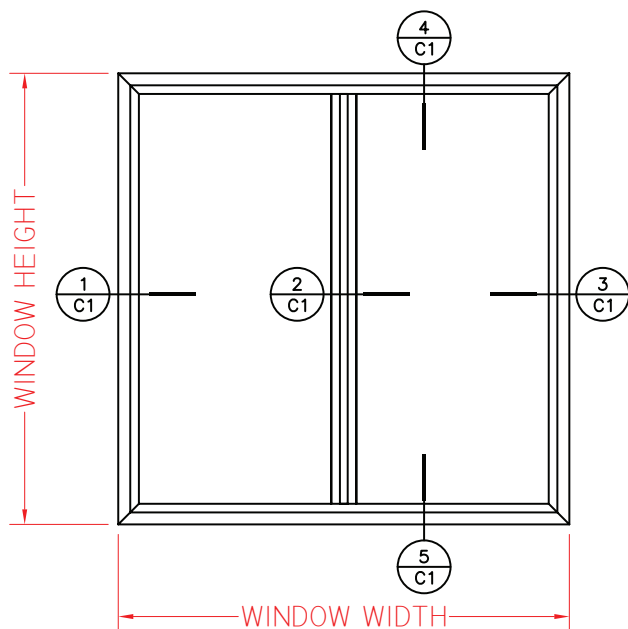
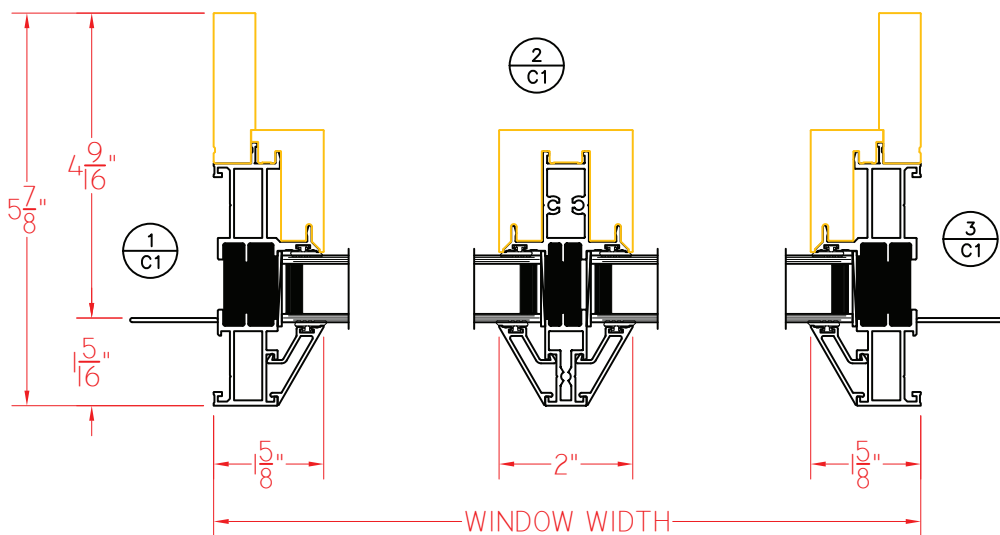


W605 Series 5 7/8" Overall Frame Depth Fixed (Picture Window)

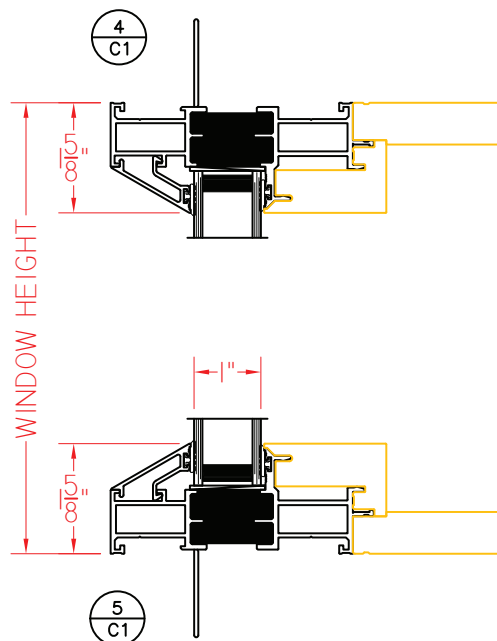
W605 Series Fixed/Fixed (Picture Window)

Shown with Nailing Fin and Beveled Glazing Stops

This document contains confidential and proprietary information intended for the private use of Quaker.
© 2019 Quaker Window Products Co., Inc. All rights reserved.
Quaker reserves the right to change any/all designs without notice.



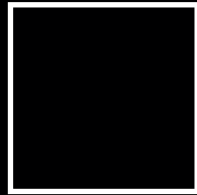
ELEVATION SCALE 3/4" = 1'-0"



SCALE 1:3

Our products are tested to the standards of and certified by some of the foremost organizations in the fenestration industry.



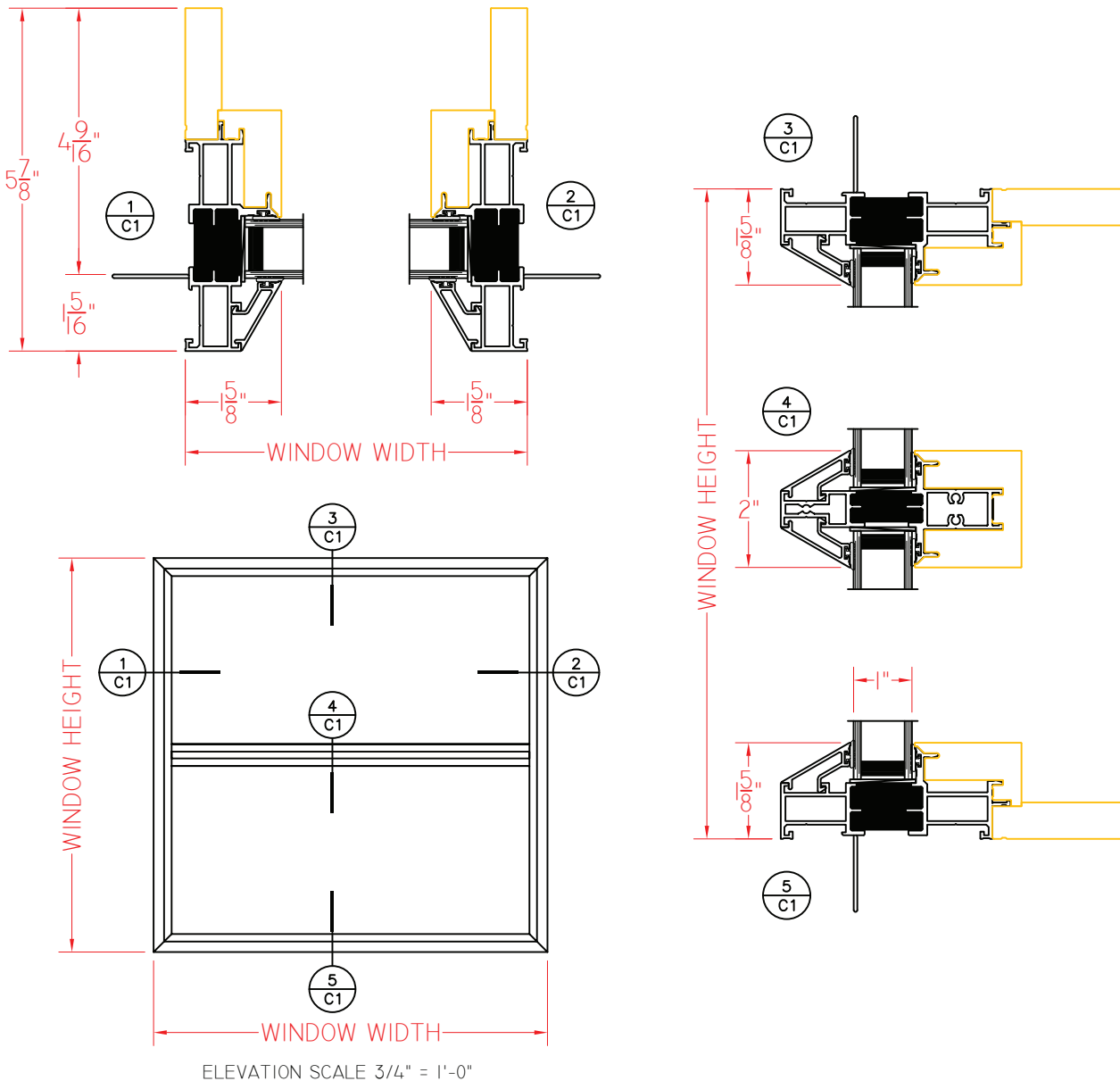


W605 Series 5 7/8" Overall Frame Depth Fixed (Picture Window)

W605 Series Fixed/Fixed (Picture Window)

Shown with Nailing Fin and Beveled Glazing Stops

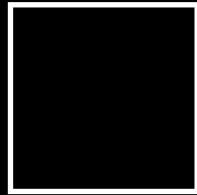
This document contains confidential and proprietary information intended for the private use of Quaker.
© 2019 Quaker Window Products Co., Inc. All rights reserved.
Quaker reserves the right to change any/all designs without notice.



SCALE 1:3

Our products are tested to the standards of and certified by some of the foremost organizations in the fenestration industry.





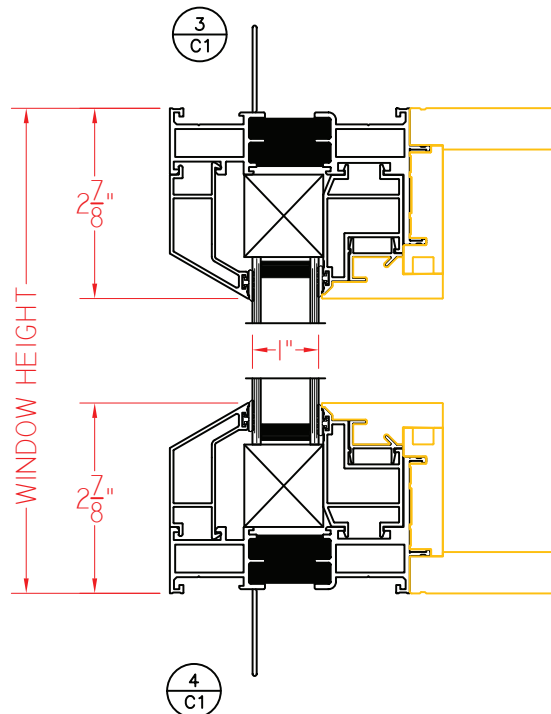
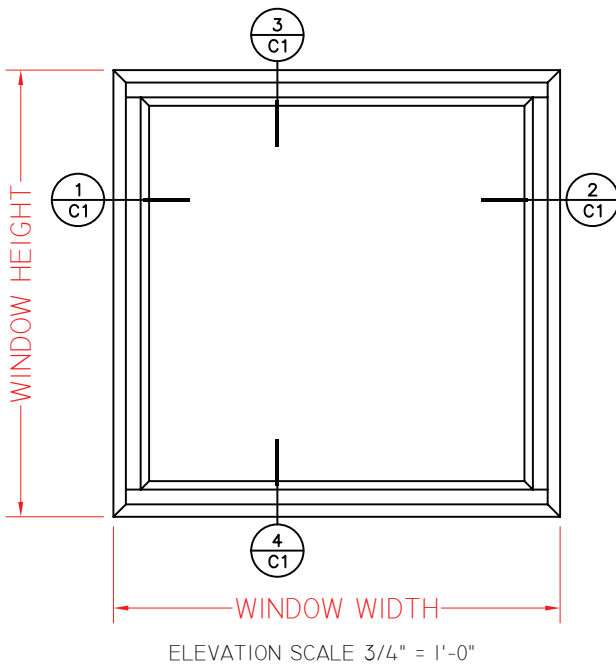
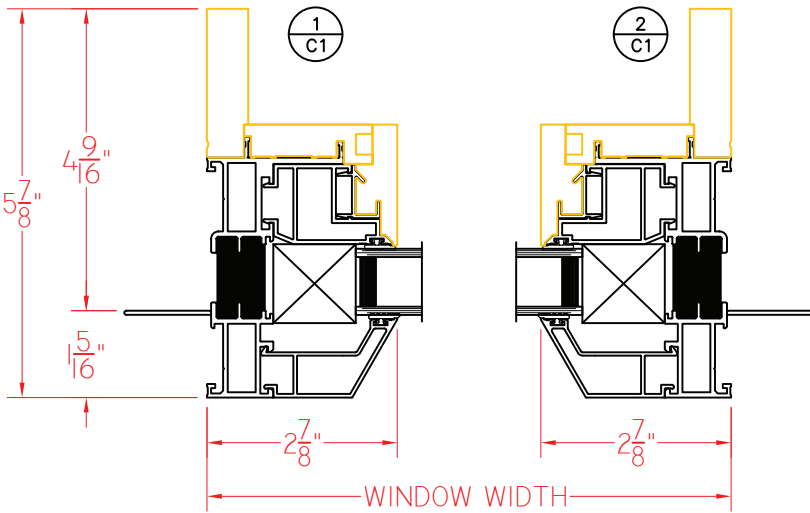
W605 Series 5 7/8" Overall Frame Depth Fixed Wider Frame (Picture Window)

W605 Series Fixed Wider Frame (Picture Window)

Shown with Nailing Fin and Beveled Glazing Stops

NOTE: Wider frame model (2 7/8" sightlines) is to be used in continuous frame set-ups incorporating at least one operating unit

This document contains confidential and proprietary information intended for the private use of Quaker.
© 2019 Quaker Window Products Co., Inc. All rights reserved.
Quaker reserves the right to change any/all designs without notice.



SCALE 1:3

Our products are tested to the standards of and certified by some of the foremost organizations in the fenestration industry.

