



C600

COMMERCIAL ALUMINUM SERIES

Casement | Project-Out | Fixed

Product Material
Aluminum

Frame Depth
4 1/8"

Rating
Casement: Up to AW100
Project-Out: Up to AW100
Fixed: Up to AW100



Aquatic V
Berkley, CA
Developers: RI Berkley LLC
Architect: Trachtenberg Architects
Contractor: West Builders
Glazing Cont.: Pinnacle Installations

Design Pressure Casement: Up to 100 Project-Out: Up to 100 Fixed: Up to 100	U-Value* Casement: .19 - .36 Project-Out: .19 - .39 Fixed: .15 - .35
Air Infiltration Casement: <.10 Project-Out: <.10 Fixed: <.10	SHGC* Casement: .11 - .45 Project-Out: .11 - .45 Fixed: .13 - .57
Water Resistance Casement: Up to 15 Project-Out: Up to 15 Fixed: Up to 15	CR* Casement: 45 - 81 Project-Out: 47 - 80 Fixed: 47 - 88
OITC^x Casement: 23 - 34 Project-Out: 27 Fixed: 25 - 30	STC^x Casement: 28 - 41 Project-Out: 34 Fixed: 30 - 40
<small>*-Ranges based on multiple Low-E/Argon I.G. combinations <small>x-Ranges based on multiple I.G. combinations</small> </small>	

FEATURES:

- ▶ Patented OptiCore Technology
- ▶ Architectural grade aluminum frame
- ▶ Dual Euro-Groove frame system
- ▶ Azo-Core Thermal Barrier System
- ▶ Modern, squared frame glazing (C600 Series) or Traditional/Historic glazing (C605 Series)
- ▶ 2 7/8" narrow sitalines
- ▶ With or without Integral Nailing Fin
- ▶ 1" insulating glass
- ▶ Roto, Push-Out and OS Operator models
- ▶ Wide or Narrow sightlines on fixed models
- ▶ Optional Internal Blind & Panel System
- ▶ Standard High-Performance 2604 Powder Paint Finish (an FGIA Specification)
- ▶ Optional Upgrade to 2605 Powder Paint Finish (an FGIA Specification)
- ▶ 30+ "Quick-Pick" colors, with unlimited custom colors available
- ▶ Two-tone option (split colors interior/exterior)
- ▶ Impact rated versions (C670 Series)

www.QuakerCommercialWindows.com

Information listed is deemed accurate as of date shown. Quaker Windows reserves the right to change or discontinue any product, feature or option without notice.

March, 2025 V5



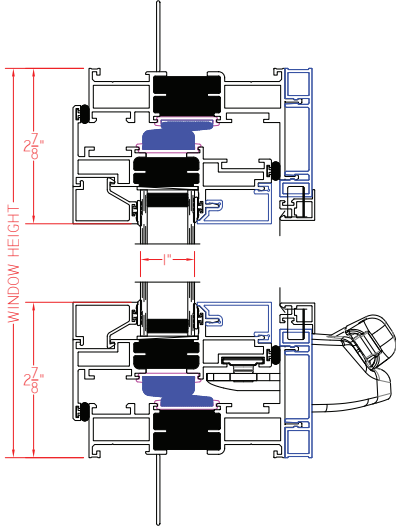
C600

COMMERCIAL ALUMINUM SERIES

Casement Roto (AW100/AW70)

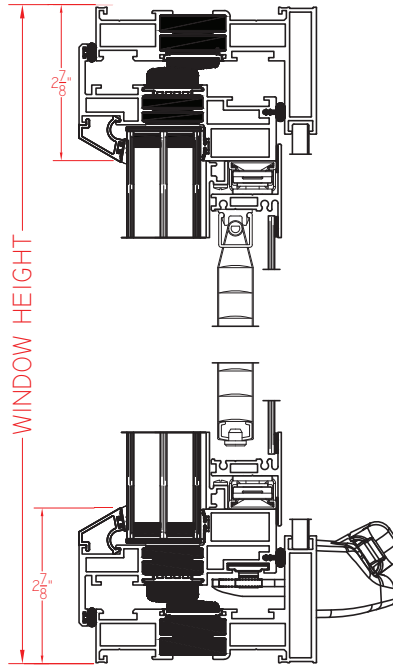
AW100 test size = 36" x 60"
 AW70 test size = 48" x 84"

Shown with nailing fin and modern, square exterior glazing



Casement with Blind & Panel System

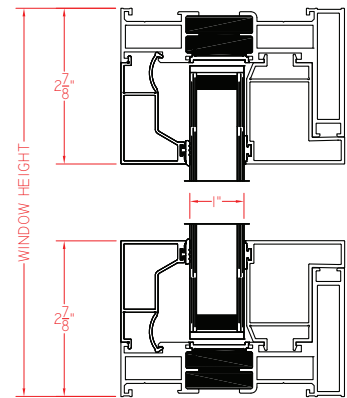
Shown without nailing fin and traditional, bevel exterior glazing



Fixed (AW100/AW80)

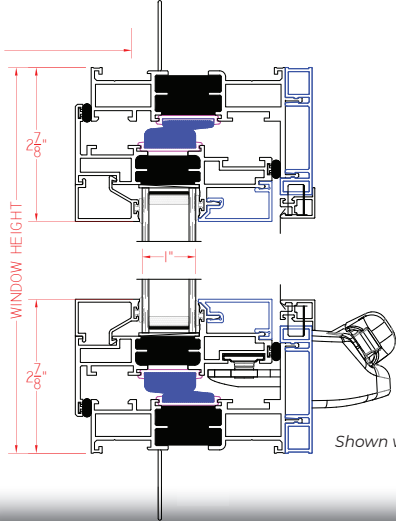
AW100 test size = 60" x 99"
 AW80 test size = 72" x 120"

Shown with wide sightline, without nailing fin and with modern, square exterior glazing.



Project-Out Roto (AW100/AW70)

AW100 test size = 60" x 36"
 AW70 test size = 48" x 72" & 36" x 84"



Shown with nailing fin and modern, square exterior glazing

All ratings listed are NAFS certified.



QuakerCommercialWindows.com
 1-800-347-0438
Commercial@quakerwindows.com